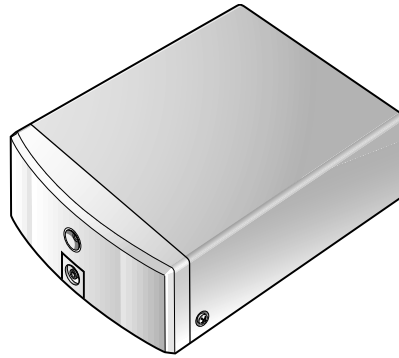


# Service Manual

**Pioneer**



ORDER NO.  
RRV2321

## STEREO POWER AMPLIFIER M-F10

THIS MANUAL IS APPLICABLE TO THE FOLLOWING MODEL(S) AND TYPE(S).

Type	Model	Power Requirement	Remarks
	M-F10		
MYXJ	○	AC220-230V	
NVXJ	○	AC230V	
KUXJ/CA	○	AC120V	

- This product is a system(s) component.  
This product does not function properly independently ; to avoid malfunctions, be sure to connect it to the prescribed system component(s), otherwise damage may result.
- Please connect it to the STEREO CD TUNER XC-F10, for adjustment and operation inspection.

Component	Model	Service manual	Remarks
STEREO CD TUNER	XC-F10	RRV2319 (ZVYXJ type) RRV2341 (ZUXJ/CA type)	
STEREO POWER AMPLIFIER	M-F10	RRV2321	This manual.
SPEAKER SYSTEM	S-F10-LRW	RRV2330 (XMD/EW type) RRV2346 (XMD/UC type)	
STEREO CASSETTE DECK	CT-F10	RRV2308	

## CONTENTS

1. SAFETY INFORMATION .....	2	7. GENERAL INFORMATION .....	24
2. EXPLODED VIEWS AND PARTS LIST .....	3	7.1 DIAGNOSIS .....	24
3. BLOCK DIAGRAM AND SCHEMATIC DIAGRAM .....	8	7.1.1 DISASSEMBLY .....	24
4. PCB CONNECTION DIAGRAM .....	14	7.1.2 SINGLE OPERATION METHOD .....	25
5. PCB PARTS LIST .....	20	7.2 IC .....	27
6. ADJUSTMENT .....	23	8. PANEL FACILITIES AND SPECIFICATIONS .....	28

# 1. SAFETY INFORMATION

This service manual is intended for qualified service technicians; it is not meant for the casual do-it-yourselfer. Qualified technicians have the necessary test equipment and tools, and have been trained to properly and safely repair complex products such as those covered by this manual.

Improperly performed repairs can adversely affect the safety and reliability of the product and may void the warranty. If you are not qualified to perform the repair of this product properly and safely, you should not risk trying to do so and refer the repair to a qualified service technician.

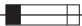
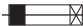
## WARNING

This product contains lead in solder and certain electrical parts contain chemicals which are known to the state of California to cause cancer, birth defects or other reproductive harm.

Health & Safety Code Section 25249.6 – Proposition 65

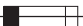
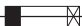
## NOTICE

(FOR CANADIAN MODEL ONLY)

Fuse symbols  (fast operating fuse) and/or  (slow operating fuse) on PCB indicate that replacement parts must be of identical designation.

## REMARQUE

(POUR MODÈLE CANADIEN SEULEMENT)

Les symboles de fusible  (fusible de type rapide) et/ou  (fusible de type lent) sur CCI indiquent que les pièces de remplacement doivent avoir la même désignation.

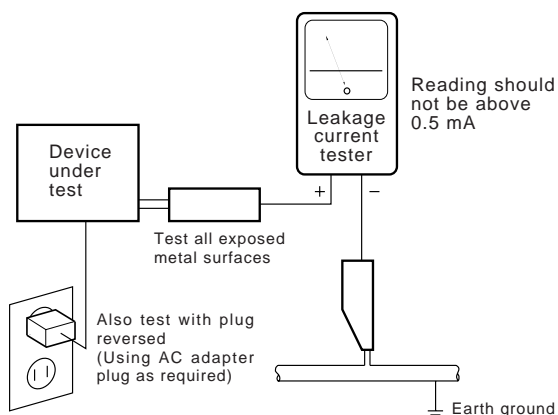
## (FOR USA MODEL ONLY)

### 1. SAFETY PRECAUTIONS

The following check should be performed for the continued protection of the customer and service technician.

#### LEAKAGE CURRENT CHECK

Measure leakage current to a known earth ground (water pipe, conduit, etc.) by connecting a leakage current tester such as Simpson Model 229-2 or equivalent between the earth ground and all exposed metal parts of the appliance (input/output terminals, screwheads, metal overlays, control shaft, etc.). Plug the AC line cord of the appliance directly into a 120V AC 60 Hz outlet and turn the AC power switch on. Any current measured must not exceed 0.5 mA.




AC Leakage Test

**ANY MEASUREMENTS NOT WITHIN THE LIMITS OUTLINED ABOVE ARE INDICATIVE OF A POTENTIAL SHOCK HAZARD AND MUST BE CORRECTED BEFORE RETURNING THE APPLIANCE TO THE CUSTOMER.**

### 2. PRODUCT SAFETY NOTICE

Many electrical and mechanical parts in the appliance have special safety related characteristics. These are often not evident from visual inspection nor the protection afforded by them necessarily can be obtained by using replacement components rated for voltage, wattage, etc. Replacement parts which have these special safety characteristics are identified in this Service Manual.

Electrical components having such features are identified by marking with a  on the schematics and on the parts list in this Service Manual.

The use of a substitute replacement component which does not have the same safety characteristics as the PIONEER recommended replacement one, shown in the parts list in this Service Manual, may create shock, fire, or other hazards.

Product Safety is continuously under review and new instructions are issued from time to time. For the latest information, always consult the current PIONEER Service Manual. A subscription to, or additional copies of, PIONEER Service Manual may be obtained at a nominal charge from PIONEER.

## LITHIUM BATTERY NOTICE

### WARNING!

Lithium batteries. Danger of explosion. Replacement must be done by qualified personnel and only by following the instructions given in the service manual.

### ADVARSEL!


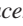
Lithiumbatteri – Eksplosionsfare ved fejlagtig håndtering. Udskiftning må kun ske med batteri af samme fabrikat og type. Levér det brugte batteri tilbage til leverandøren.

This warning is stated on the product or in the operating instructions. When replacing the lithium batteries, follow the note below. Dispose of the used battery promptly. Keep away from children. Do not disassemble and do not dispose of in fire. The battery used in this device may present a fire or chemical hazard if mistreated. Do not recharge, disassemble, heat above 100 °C or incinerate. Replace only with the same Part Number. Use of another battery may present a risk of fire or explosion.

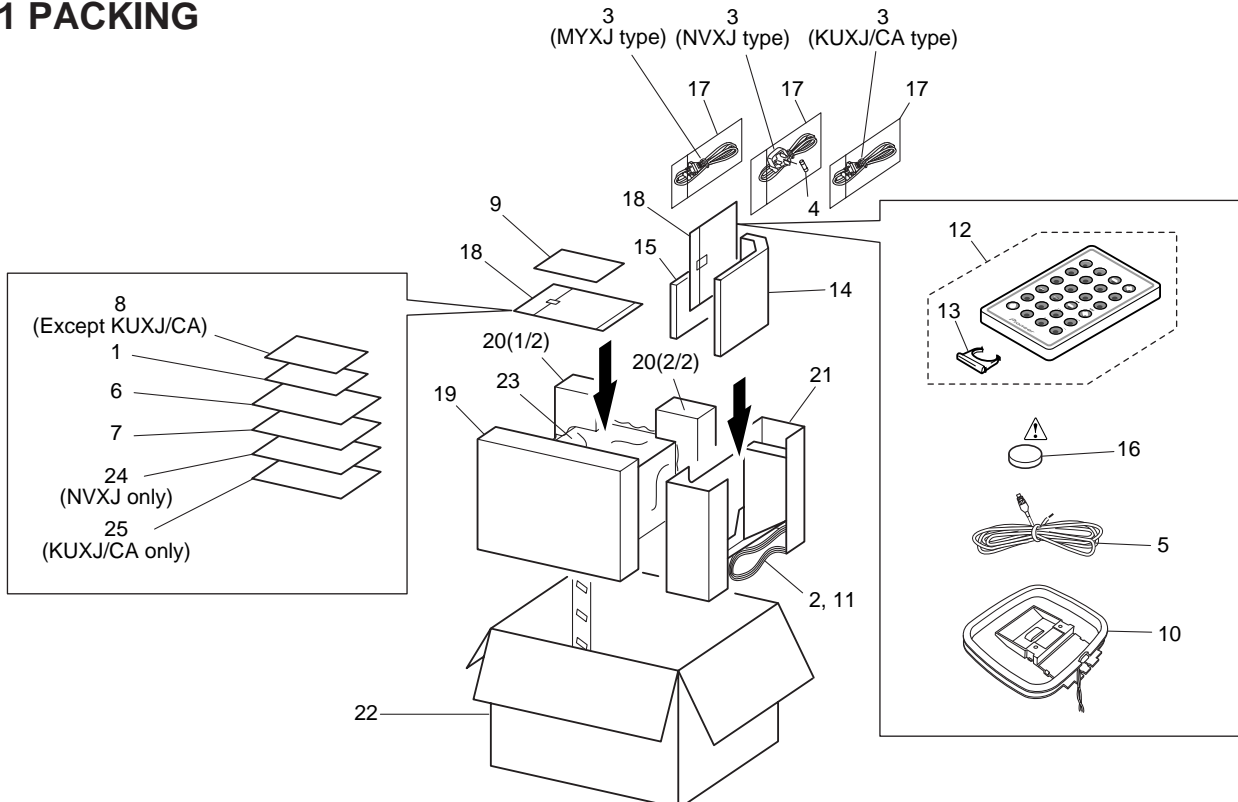
Denne advarsel er angivet på produktet eller i brugsvejledningen. Ved udskiftning af lithium batterierne følges nedenstående anvisning. Batterierne må kun udskiftes med batterier af samme type og mærke.

**Note:** The lithium battery installation position is shown in the exploded views.




## 2. EXPLODED VIEWS AND PARTS LIST

- NOTES :
- Parts marked by “NSP” are generally unavailable because they are not in our Master Spare Parts List.
  - The  mark found on some component parts indicates the importance of the safety factor of the part. Therefore, when replacing, be sure to use parts of identical designation.
  - Screw adjacent to  mark on the product are used for disassembly.

### 2.1 PACKING





## (1) PACKING PARTS LIST

Mark	No.	Description	Part No.	Mark	No.	Description	Part No.
	1	Paper Pattern	AAX7807		16	Lithium Battery (CR2025)	VEM1009
	2	System Cable (20P)	ADE7057	NSP 	17	Vinyl Bag (115 × 270 × 0.05)	Z21-013
	3	AC Power Cord	See Contrast table (2)	NSP	18	Polyethylene Bag (0.03 × 230 × 340)	Z21-038
	4	Fuse (T5A)	See Contrast table (2)		19	Front Pad A	AHA7293
	5	FM Wire Antenna	See Contrast table (2)		20	Rear Pad A	AHA7294
	6	Operating Instructions	See Contrast table (2)		21	Spacer A	AHB7037
	7	Operating Instructions	See Contrast table (2)		22	Packing Case	See Contrast table (2)
	8	Errata	See Contrast table (2)		23	Sheet	Z23-026
NSP	9	Warranty Card	See Contrast table (2)		24	Operating Instructions	See Contrast table (2)
	10	Loop Antenna	ATB7009		25	Operating Instructions	See Contrast table (2)
	11	Ferrite Core	ATX7007				
	12	Remote control Unit	AXD7271				
	13	Battery Lid	AZN7834				
	14	Stand A	AXG7096				
	15	Stand B	AXG7097				

## (2) CONTRAST TABLE

MYXJ, NVXJ and KUXJ/CA are constructed the same except for the following:


Mark	No.	Symbol and Description	Part No.			Remarks
			MYXJ type	NVXJ type	KUXJ/CA type	
 	3	AC Power Cord	ADG1154	ADG1156	ADG7022	
	4	Fuse (T5A)	Not used	AEK7001	Not used	
	5	FM Wire Antenna	ADH7005	ADH7005	ADH7004	
	6	Operating Instructions (Dutch/Swedish/Spanish/Portuguese)	ARC7301	Not used	Not used	
	7	Operating Instructions (English/French/German/Italian)	ARE7264	Not used	Not used	
	8	Errata	ARX7037	ARX7037	Not used	
	9	Warranty Card	ARY7022	ARY7022	ARY7045	
NSP	22	Packing Case	AHD7941	AHD7942	AHD7905	
	24	Operating Instructions (English)	Not used	ARB7227	Not used	
	25	Operating Instructions (English/French)	Not used	Not used	ARE7256	

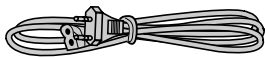
## ACCESSORIES



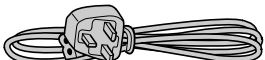
Remote control unit  
(AXD7271)



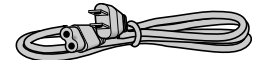
 Lithium battery  
(CR2025)



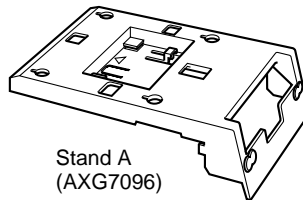
AC power cord  
(ADG1154)  
(For MYXJ type)



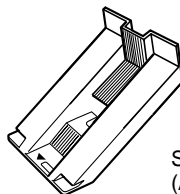
AC power cord  
(ADG1156)  
(For NVXJ type)



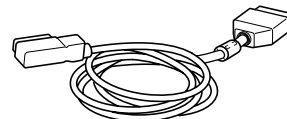
AC power cord  
(ADG7022)  
(For KUXJ/CA type)



Stand A  
(AXG7096)

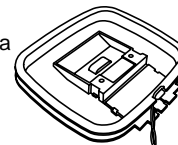


Stand B  
(AXG7097)

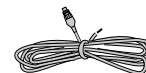


System cable (ADE7057)

AM loop antenna  
(ATB7009)

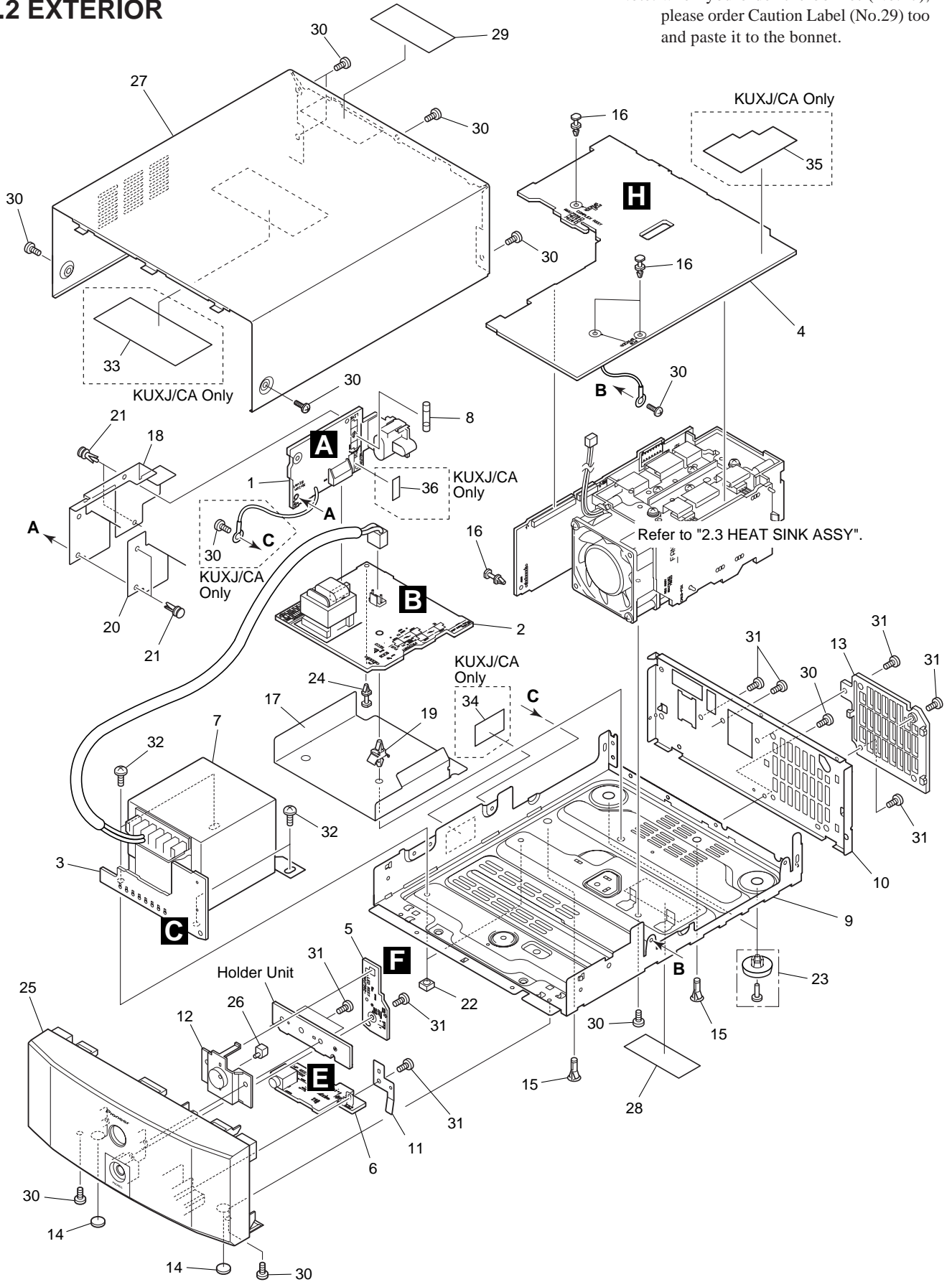


FM wire antenna  
(ADH7005: For MYXJ and NVXJ types)  
(ADH7004: For KUXJ/CA type)



## 2.2 EXTERIOR

Note: when you order the bonnet (No.27), please order Caution Label (No.29) too and paste it to the bonnet.



**(1) EXTERIOR SECTION PARTS LIST**

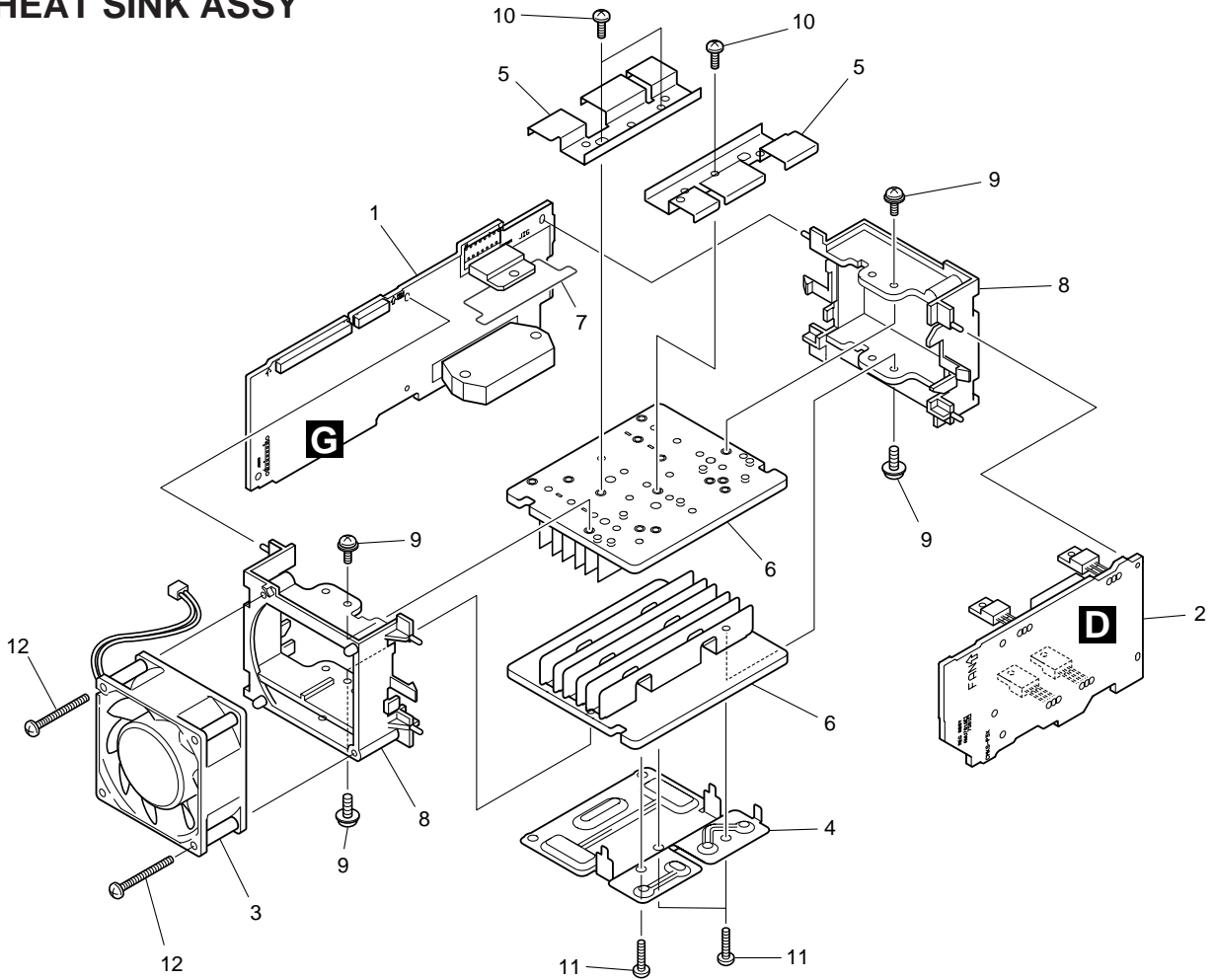
Mark	No.	Description	Part No.	Mark	No.	Description	Part No.
	1	AC IN Assy	See Contrast table (2)		26	LED Lens	PNW2019
	2	PRIMARY Assy	See Contrast table (2)		27	Bonnet	AZN7837
	3	SECONDRY Assy	See Contrast table (2)	NSP	28	Label	See Contrast table (2)
	4	COMPLEX Assy	See Contrast table (2)		29	Caution Label	See Contrast table (2)
	5	LED Assy	AWU7562		30	Screw	BBZ30P080FNI
	6	HP Assy	AWU7563		31	Screw	BPZ30P100FZK
⚠	7	Power Transformer (T1)	See Contrast table (2)		32	Screw	FBT40P060FCC
⚠	8	Fuse (FU1)	See Contrast table (2)		33	65 Label	See Contrast table (2)
NSP	9	Chassis	ANA7110	NSP	34	Fuse Caution	See Contrast table (2)
	10	Rear Panel	See Contrast table (2)	NSP	35	Fuse Caution B	See Contrast table (2)
	11	Erath Plate	ANG7331	NSP	36	Fuse Card	See Contrast table (2)
	12	Lens Bracket	AAK7766				
	13	Rear Mold	AAX7803				
	14	Leg	AEB7090				
NSP	15	PCB Holder	AEC7057				
NSP	16	PCB Spacer (3x6)	AEC7156				
	17	Bottom Barrier	AEC7283				
	18	Side Barrier	AEC7285				
NSP	19	PCB Spacer	AEC7289				
	20	Sub Barrier	AEC7312				
	21	Nylon Rivet	AEC7315				
	22	Disc Guard	PNM1245				
	23	Foot (Rubber)	REC-434				
NSP	24	Card Spacer	REC1156				
	25	Front Panel	AMB7702				

**(2) CONTRAST TABLE**

MYXJ, NVXJ and KUXJ/CA are constructed the same except for the following:

Mark	No.	Symbol and Description	Part No.			Remarks
			MYXJ type	NVXJ type	KUXJ/CA type	
	1	AC IN Assy	AWU7556	AWU7556	AWU7609	
	2	PRIMARY Assy	AWU7557	AWU7557	AWU7658	
	3	SECONDRY Assy	AWU7558	AWU7558	AWU7614	
	4	COMPLEX Assy	AWU7559	AWU7559	AWU7616	
⚠	7	Power Transformer (T1)	ATS7278	ATS7278	ATS7279	
⚠	8	Fuse (FU1)	REK1025 (T2AL250V)	REK1025 (T2AL250V)	REK1066 (4A/125V)	
	10	Rear Panel	ANC7935	ANC7935	ANC7967	
NSP	28	Label	ARW7101	ARW7107	ARW7103	
	29	Caution Label	ARW7112	ARW7112	ARW7113	
	33	65 Label	Not used	Not used	ARW7050	
NSP	34	Fuse Caution	Not used	Not used	AAX7817	
NSP	35	Fuse Caution B	Not used	Not used	AAX7833	
NSP	36	Caution Card	Not used	Not used	AAX2343	

### 2.3 HEAT SINK ASSY



#### (1) HEAT SINK ASSY SECTION PARTS LIST

Mark	No.	Description	Part No.	Mark	No.	Description	Part No.
	1	AMP Assy	AWU7560		11	Screw	BBZ30P160FMC
	2	REG Assy	AWU7561		12	Screw	BPZ30P350FZK
	3	DC Fan Motor	AXM7014				
	4	Power Pac Holder	ANG7109				
	5	Heat Plate	ANG7328				
	6	Heat Sink	ANH7132				
	7	Mica Sheet	AEE7036				
	8	Fan Mold	AMR7321				
	9	Screw	ABA1021				
	10	Screw	BBZ30P080FNI				

#### (2) CONTRAST TABLE

MYXJ, NVXJ and KUXJ/CA are constructed the same except for the following:

Mark	No.	Symbol and Description	Part No.			Remarks
			MYXJ type	NVXJ type	KUXJ/CA type	
	1	AMP Assy	AWU7560	AWU7560	AWU7618	
	2	REG Assy	AWU7561	AWU7561	AWU7619	

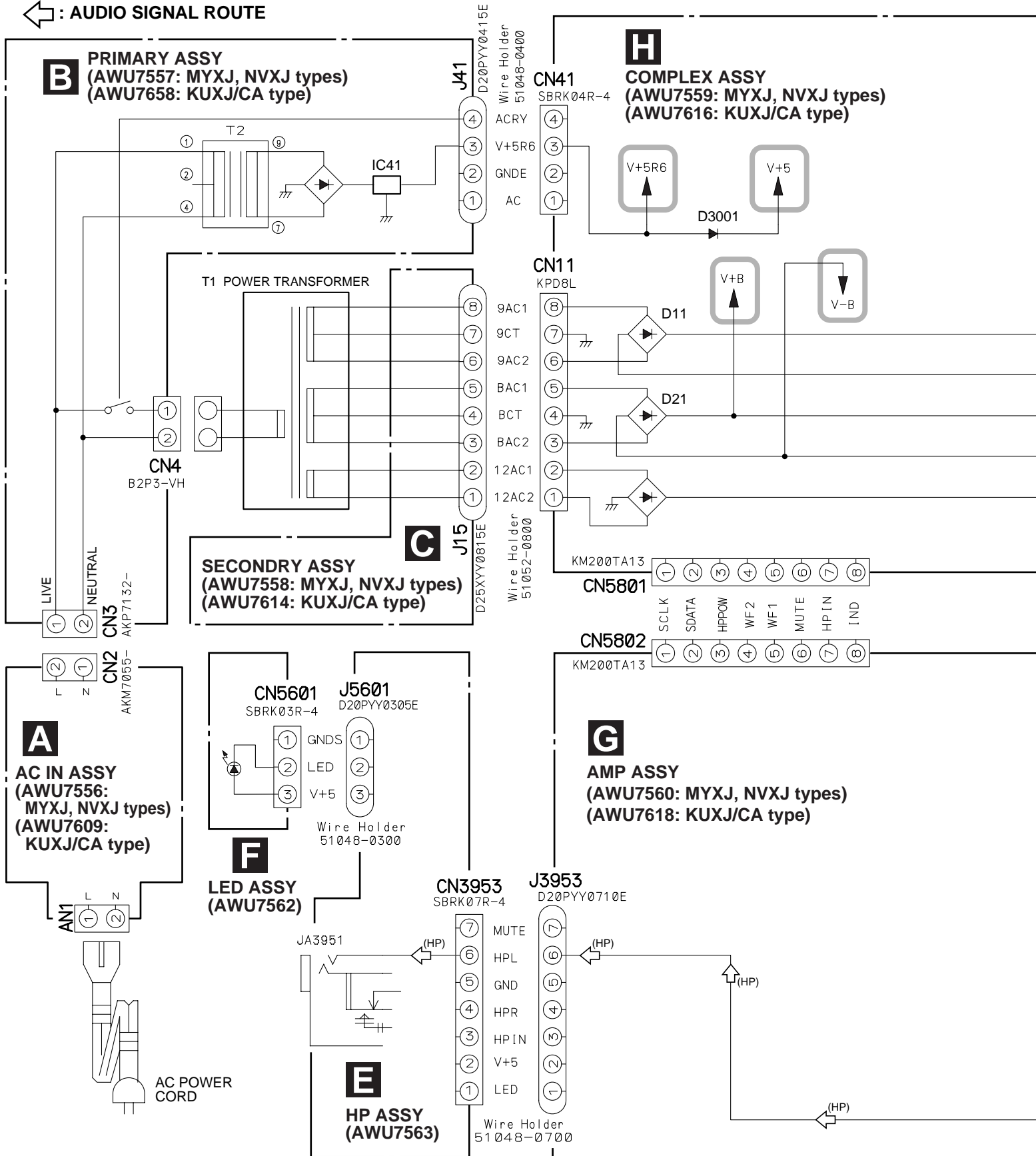


### 3. BLOCK DIAGRAM AND SCHEMATIC DIAGRAM

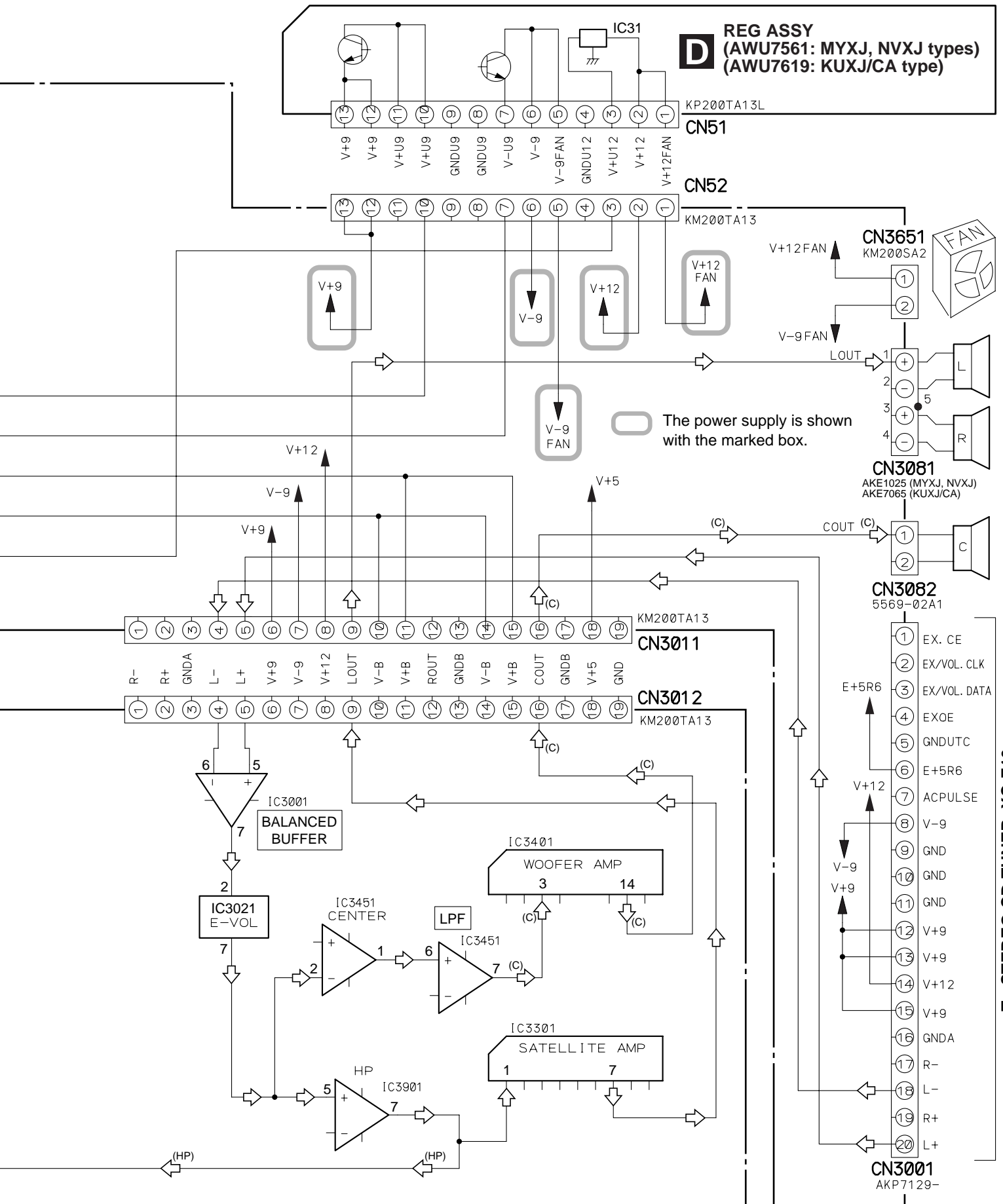
Note: When ordering service parts, be sure to refer to "EXPLODED VIEWS AND PARTS LIST" or "PCB PARTS LIST".

#### 3.1 BLOCK DIAGRAM and OVERALL CONNECTION DIAGRAM

← : AUDIO SIGNAL ROUTE





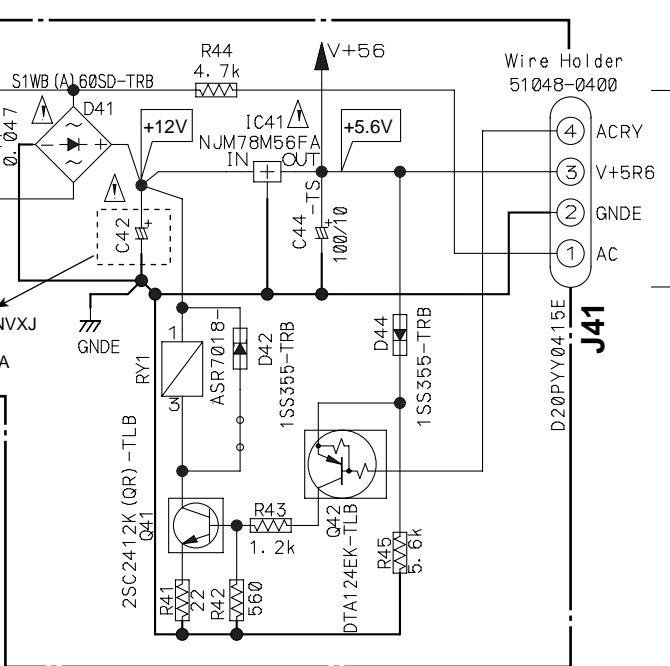
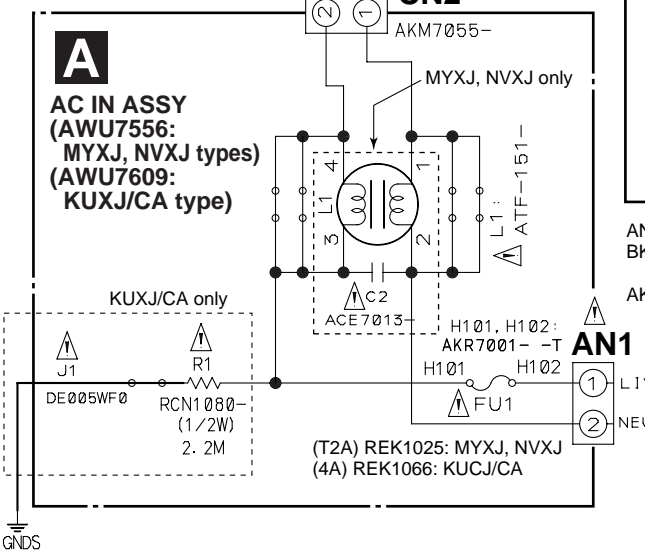
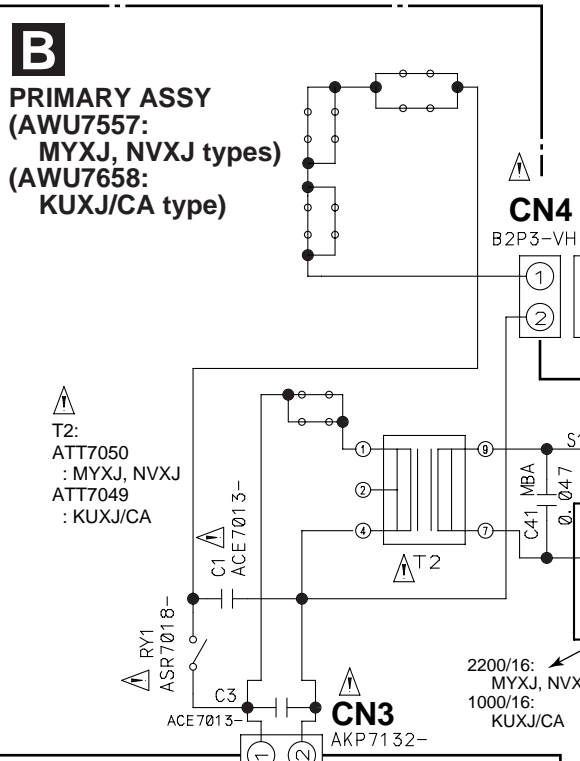
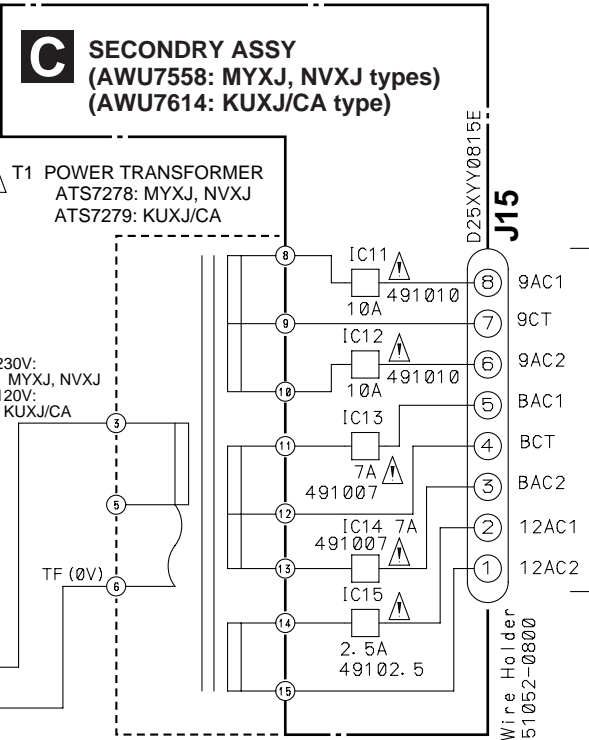


### 3.2 AC IN, PRIMARY and SECONDARY ASSYS

**CAUTION :** FOR CONTINUED PROTECTION AGAINST RISK OF FIRE. REPLACE WITH SAME TYPE NO. 491010 MFD. BY LITTELFUSE INC. FOR IC11 and IC12 (AEK7022).

**CAUTION :** FOR CONTINUED PROTECTION AGAINST RISK OF FIRE. REPLACE WITH SAME TYPE NO. 491007 MFD. BY LITTELFUSE INC. FOR IC13 and IC14 (AEK7021).

**CAUTION :** FOR CONTINUED PROTECTION AGAINST RISK OF FIRE. REPLACE WITH SAME TYPE NO. 49102.5 MFD. BY LITTELFUSE INC. FOR IC15 (AEK7014).



**NOTE FOR FUSE REPLACEMENT**

**CAUTION:** FOR CONTINUED PROTECTION AGAINST RISK OF FIRE. REPLACE ONLY WITH SAME TIME AND RATINGS ONLY.

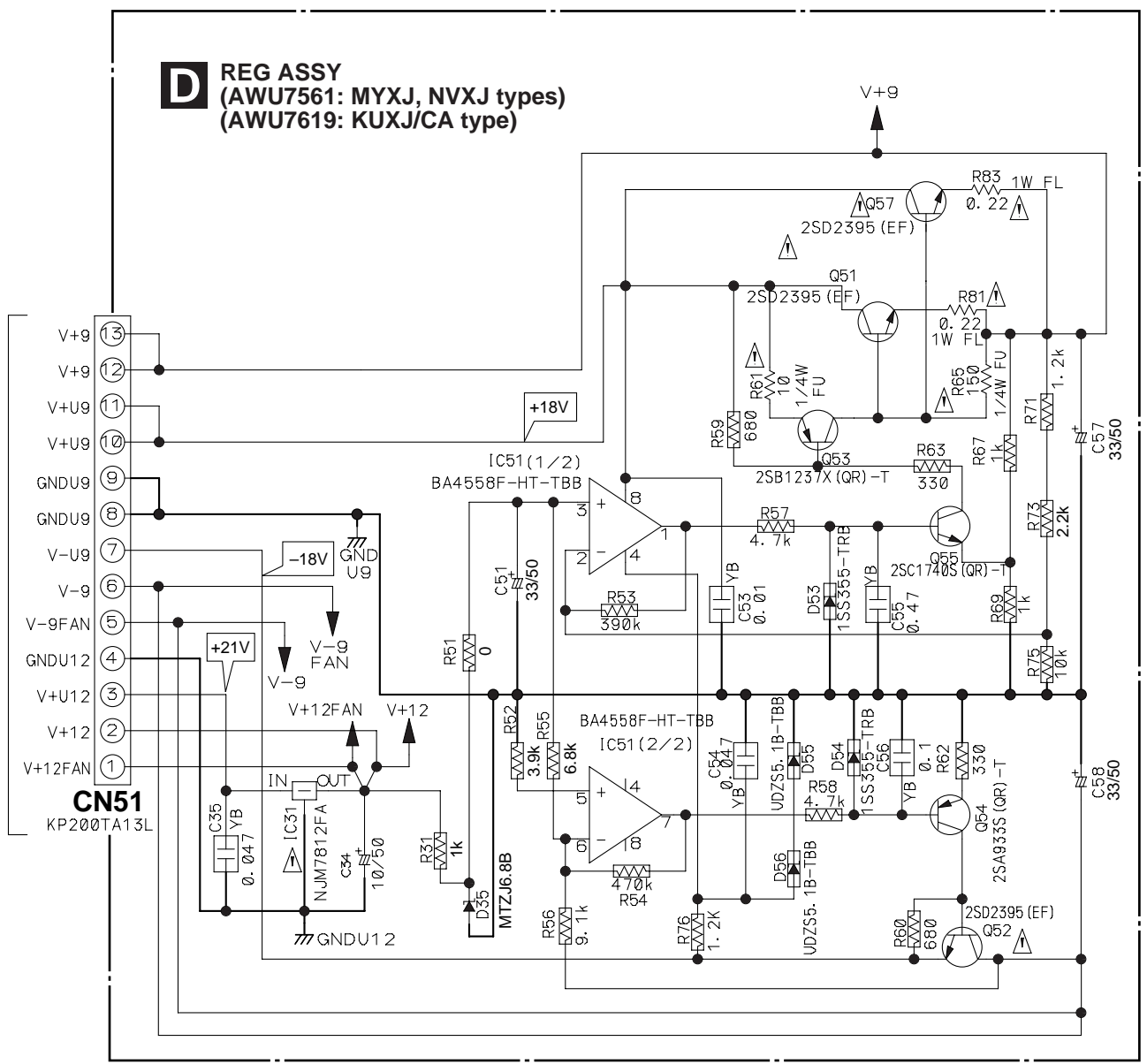
AC220-230V 50/60Hz: MYXJ  
AC230V 50/60Hz: NVXJ  
AC120V 60Hz: KUXJ/CA

AC POWER CORD  
ADG1154: MYXJ  
ADG1156: NVXJ  
ADG7022: KUXJ/CA

### 3.3 REG, HP and LED ASSYS

**H** CN52

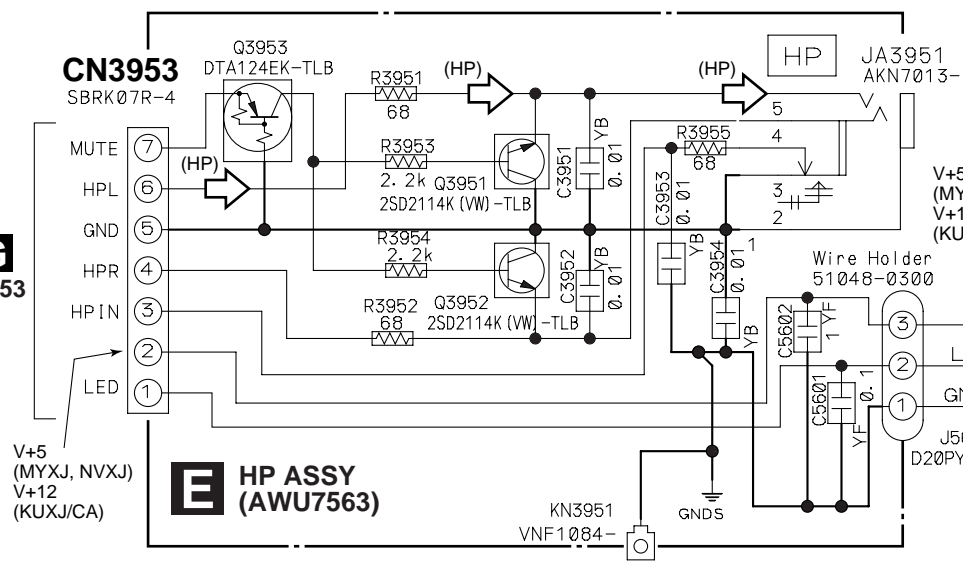
**D** REG ASSY  
(AWU7561: MYXJ, NVXJ types)  
(AWU7619: KUXJ/CA type)



**G** J3953

**CN3953**  
SBRK07R-4

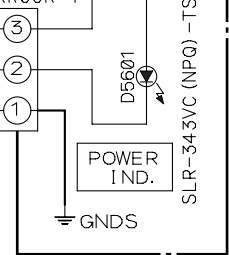
**E** HP ASSY  
(AWU7563)



**F** LED ASSY  
(AWU7562)

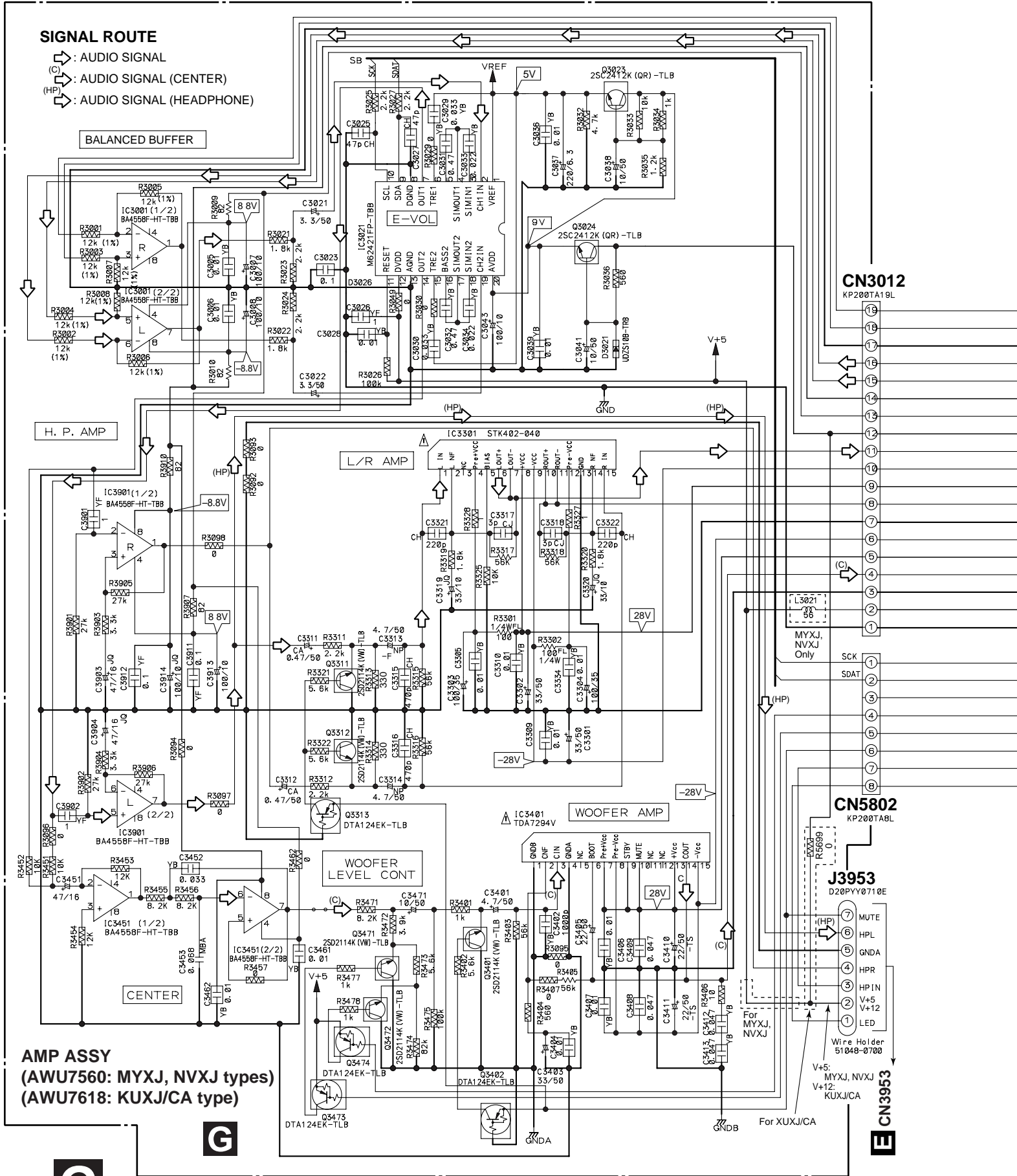
R5601  
270: MYXJ, NVXJ  
1k: KUXJ/CA

**CN5601**  
SBRK03R-4



**D E F**

3.4 AMP and COMPLEX ASSYS



SIGNAL ROUTE

- (C) : AUDIO SIGNAL
- (HP) : AUDIO SIGNAL (CENTER)
- (HP) : AUDIO SIGNAL (HEADPHONE)

BALANCED BUFFER

H. P. AMP

L/R AMP

WOOFER AMP

WOOFER LEVEL CONT

**AMP ASSY**  
 (AWU7560: MYXJ, NVXJ types)  
 (AWU7618: KUXJ/CA type)

**CN3012**  
 KP200TA19L

**CN5802**  
 KP200TA8L

**J3953**  
 D20PY0710E

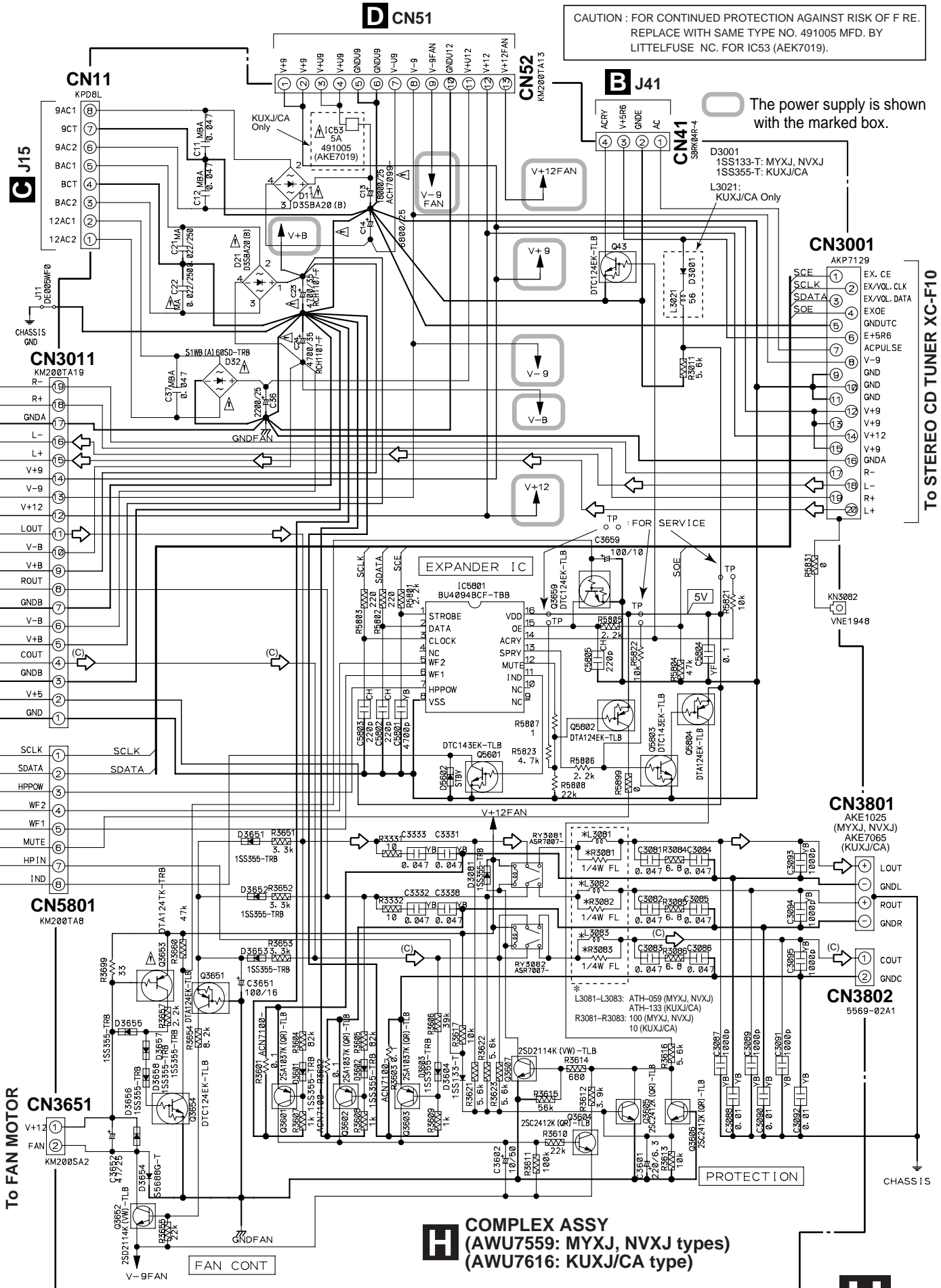
**CN3953**

Wire Holder 51048-0700

V+5: MYXJ, NVXJ  
 V+12: KUXJ/CA

For XUXJ/CA

CAUTION : FOR CONTINUED PROTECTION AGAINST RISK OF F RE. REPLACE WITH SAME TYPE NO. 491005 MFD. BY LITTELFUSE NC. FOR IC53 (AKE7019).



The power supply is shown with the marked box.

To STEREO CD TUNER XC-F10

COMPLEX ASSY (AWU759: MYXJ, NVXJ types) (AWU7616: KUXJ/CA type)



# 4. PCB CONNECTION DIAGRAM

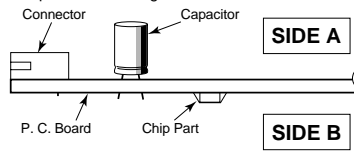
**NOTE FOR PCB DIAGRAMS**

1. Part numbers in PCB diagrams match those in the schematic diagrams.
2. A comparison between the main parts of PCB and schematic diagrams is shown below.

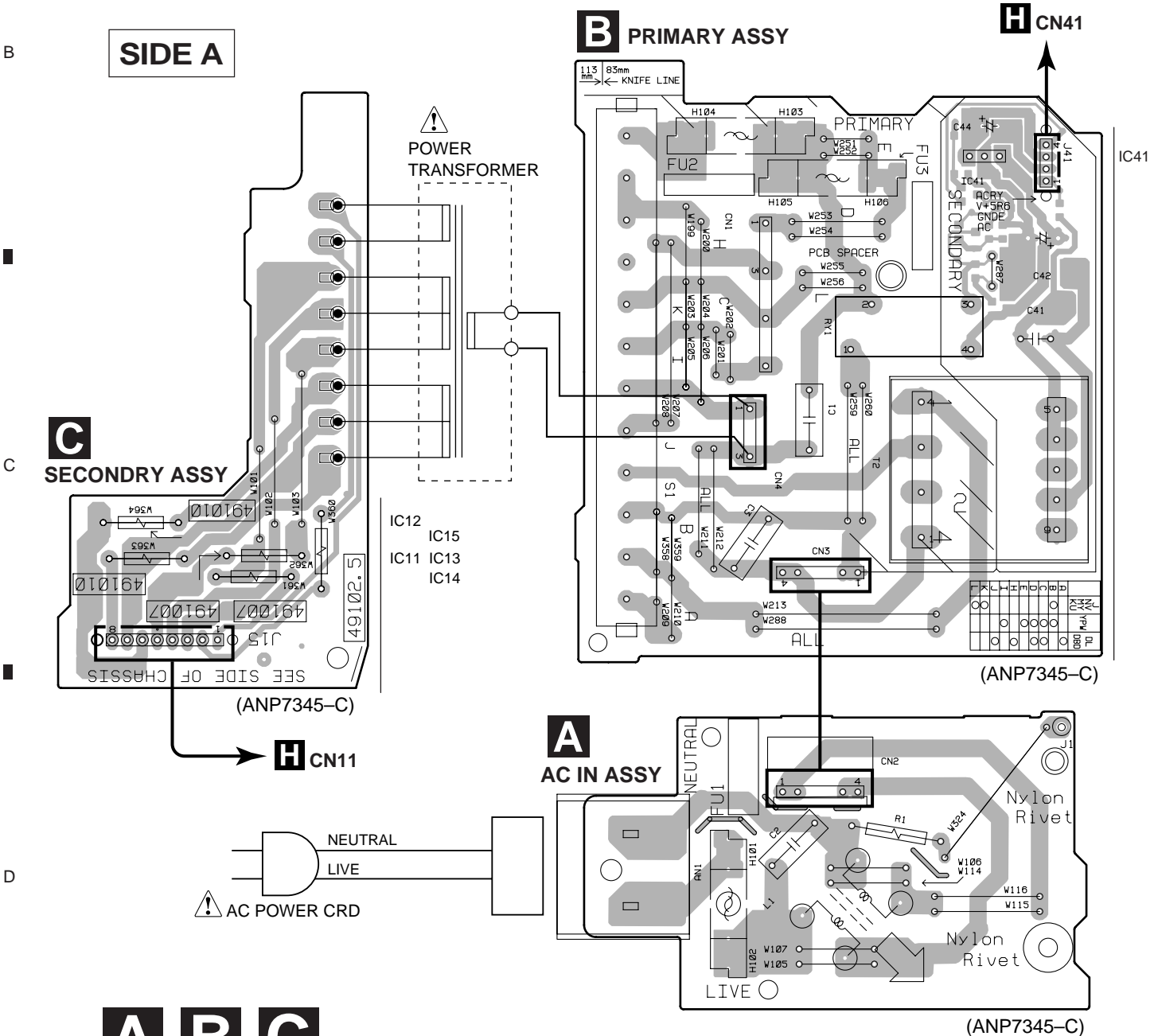
Symbol in PCB Diagrams	Symbol in Schematic Diagrams	Part Name
		Transistor
		Transistor with resistor
		Field effect transistor

Symbol in PCB Diagrams	Symbol in Schematic Diagrams	Part Name
		Resistor array
		3-terminal regulator

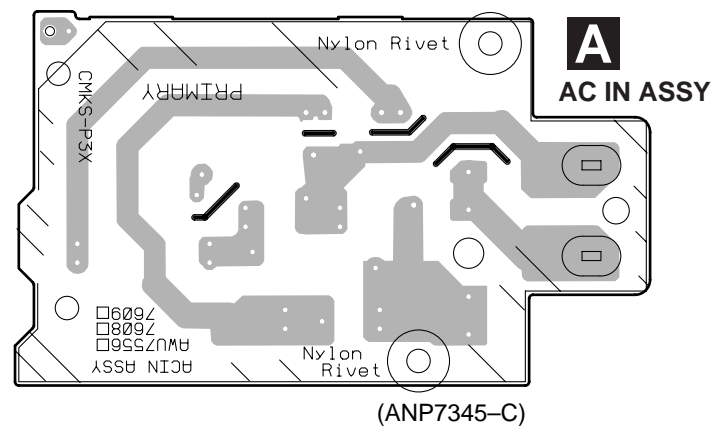
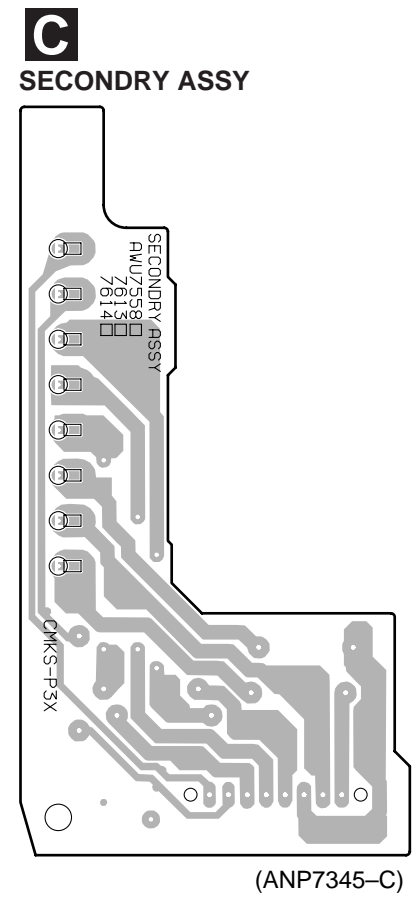
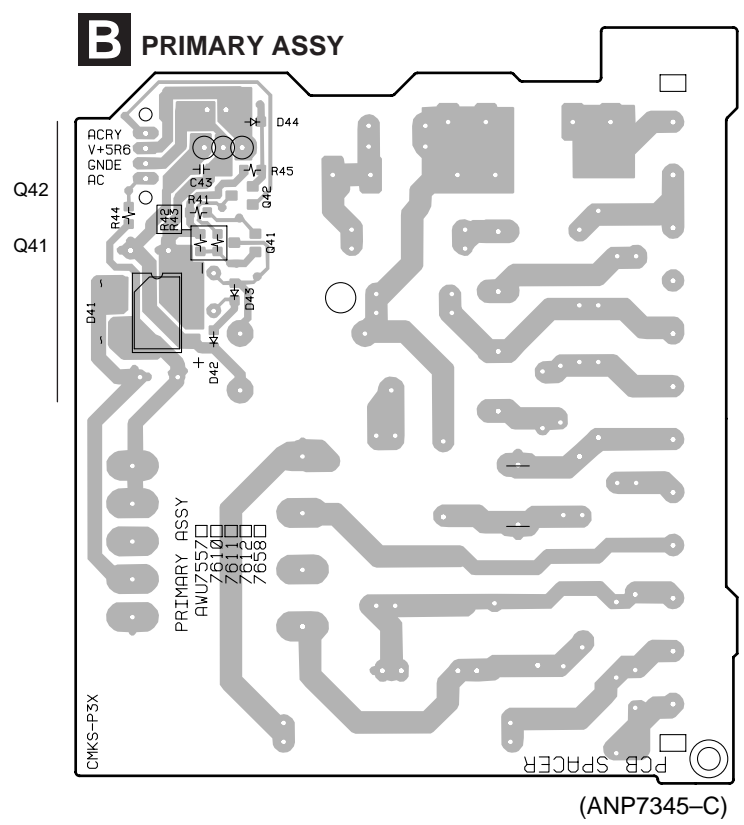
3. The parts mounted on this PCB include all necessary parts for several destination. For further information for respective destinations, be sure to check with the schematic diagram.
4. Viewpoint of PCB diagrams



## 4.1 AC IN, PRIMARY and SECONDRY ASSYS



SIDE B



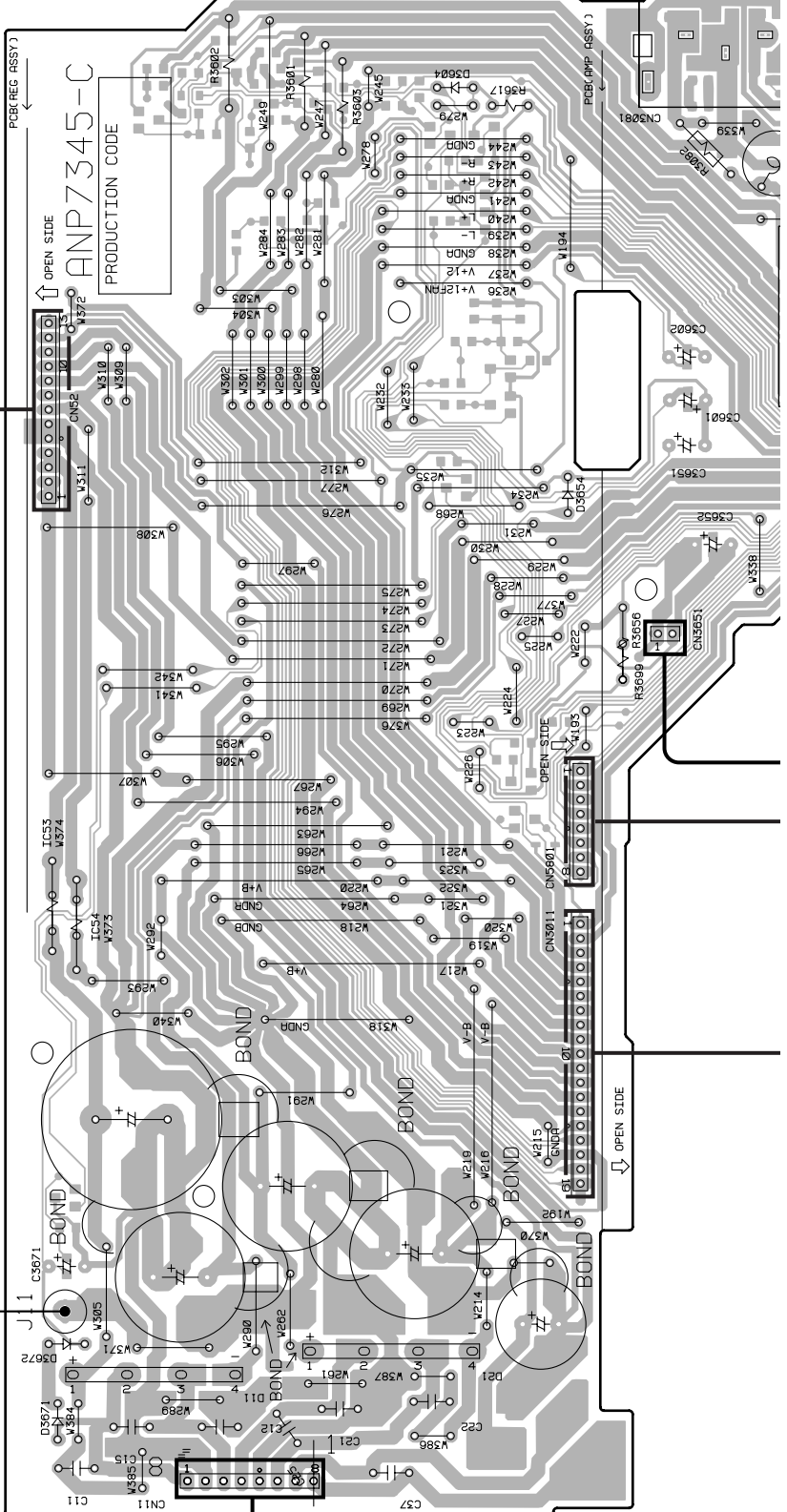
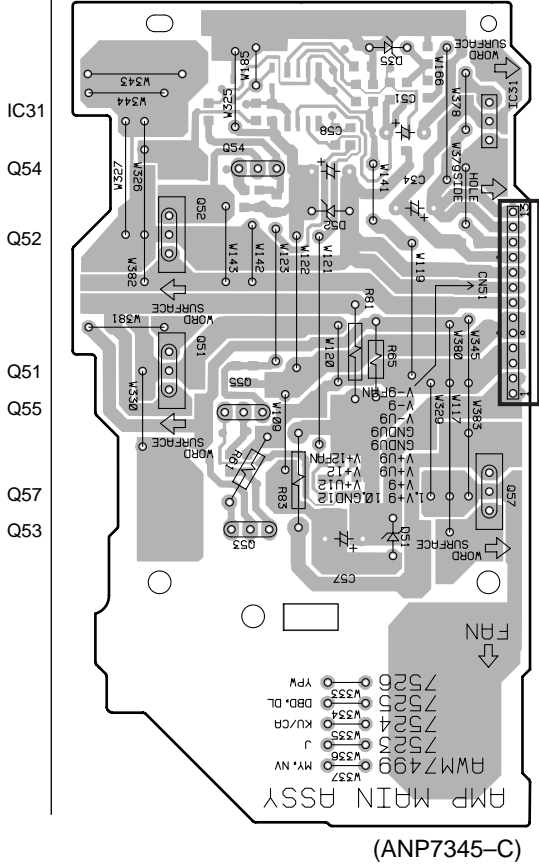


4.2 COMPLEX, AMP, REG, HP and LED ASSYS

SIDE A

COMPLEX ASSY

REG ASSY



A

B

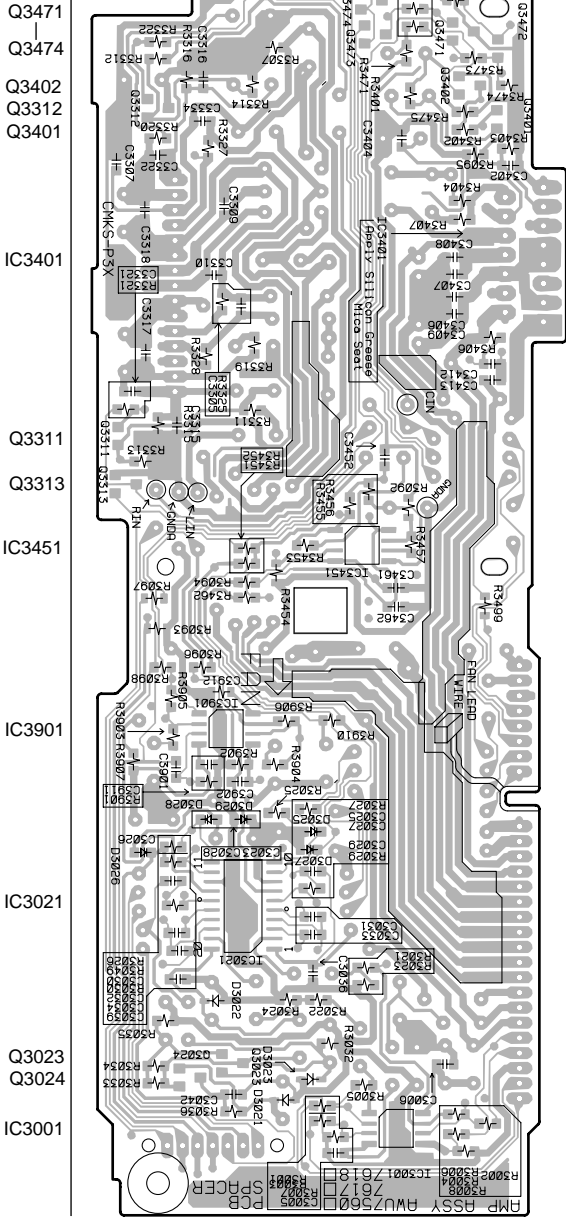
C

D



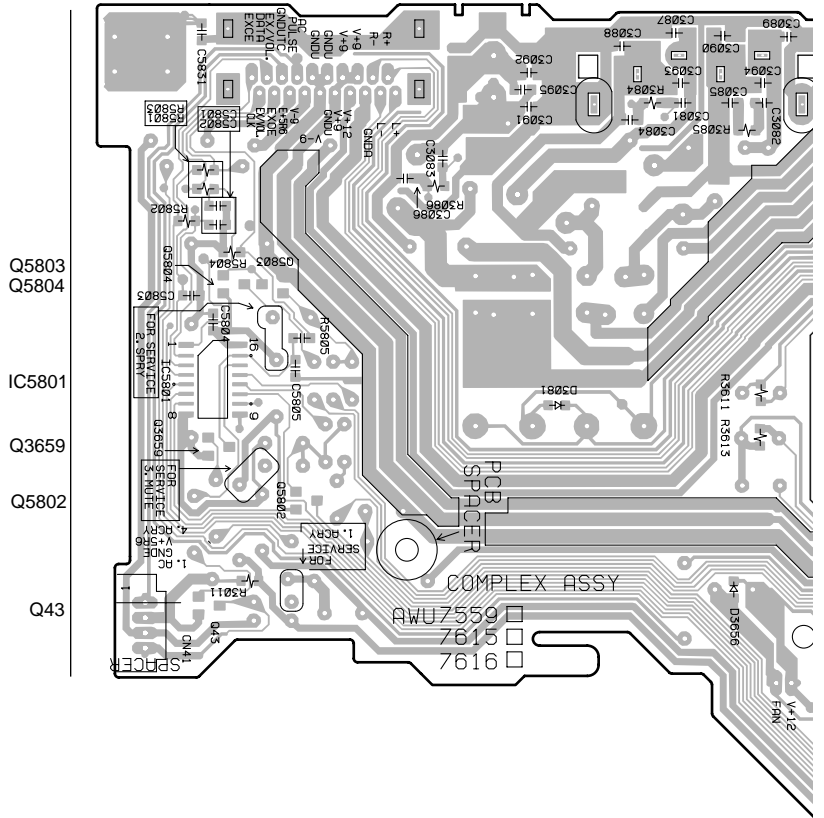
**SIDE B**

**G AMP ASSY**

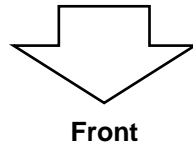


(ANP7345-C)

**H COMPLEX ASSY**

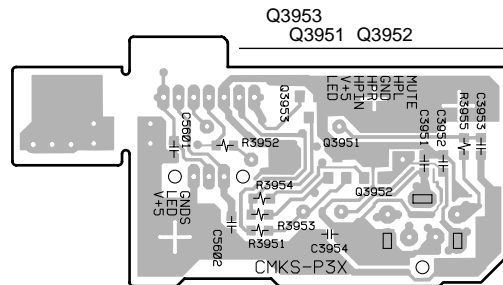


- Q5803
- Q5804
- IC5801
- Q3659
- Q5802
- Q43



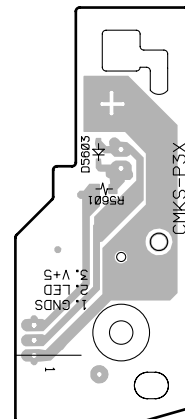
Front

**E HP ASSY**



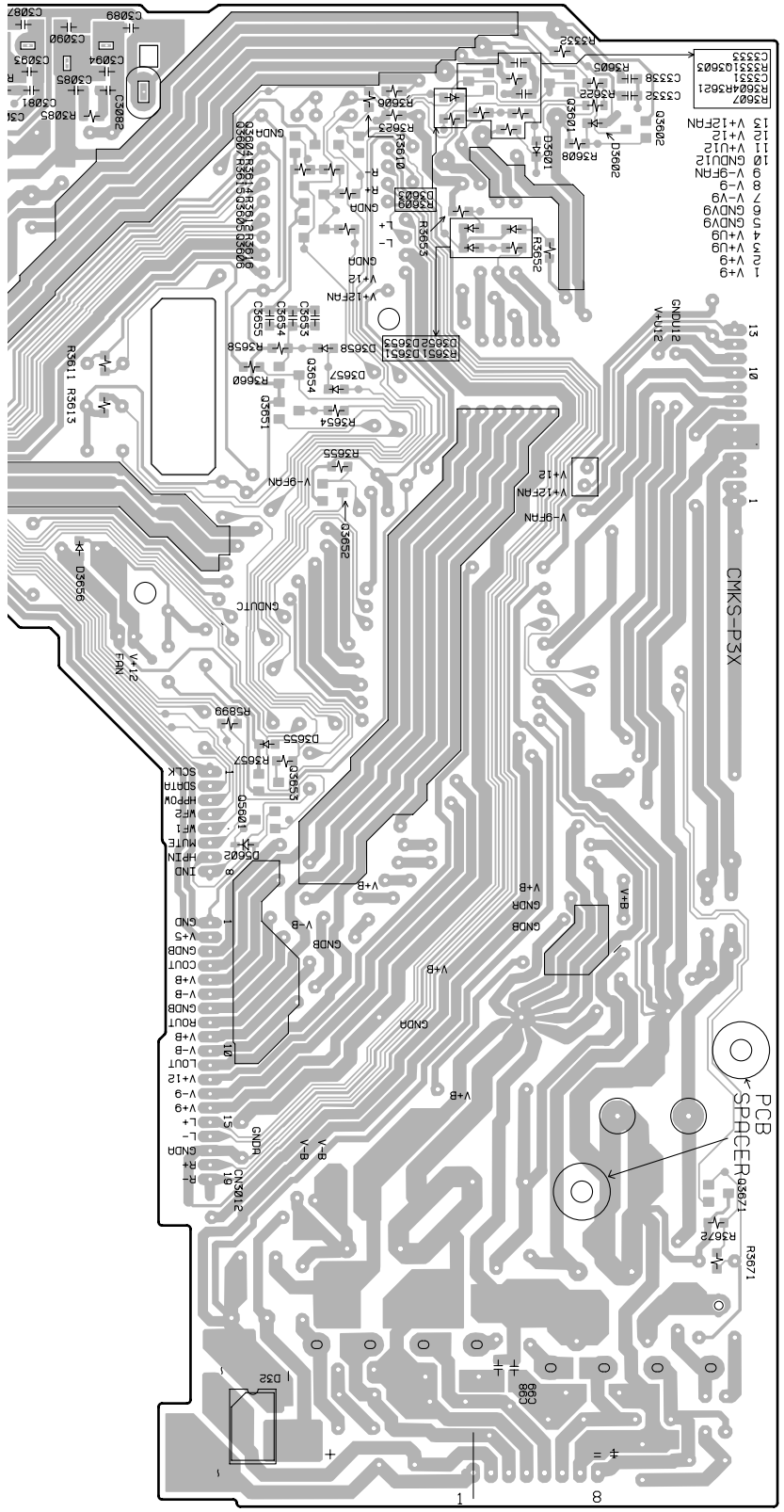
(ANP7345-C)

**F LED ASSY**

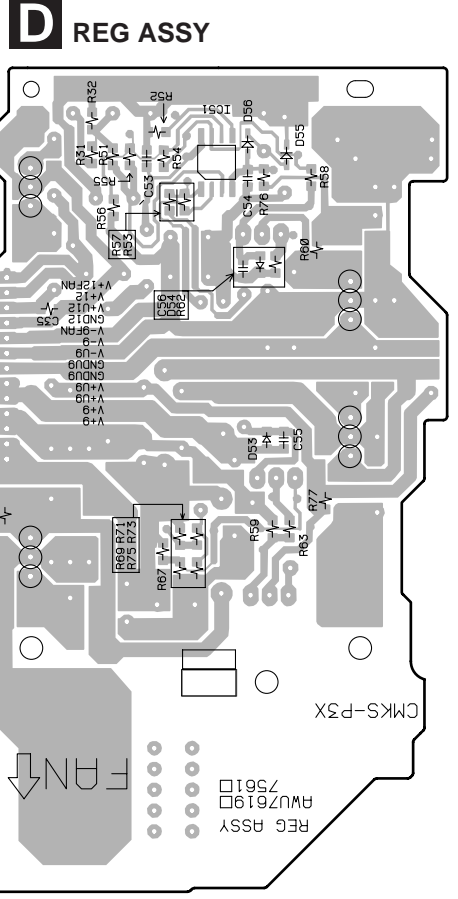


(ANP7345-C)

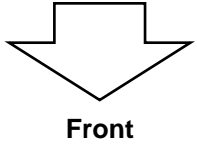
SIDE B



(ANP7345-C)



(ANP7345-C)



## 5. PCB PARTS LIST

- NOTES :
- Parts marked by “NSP” are generally unavailable because they are not in our Master Spare Parts List.
  - The  $\triangle$  mark found on some component parts indicates the importance of the safety factor of the part. Therefore, when replacing, be sure to use parts of identical designation.
  - When ordering resistors, first convert resistance values into code form as shown in the following examples.
- Ex. 1 When there are 2 effective digits (any digit apart from 0), such as 560 ohm and 47k ohm (tolerance is shown by J = 5%, and K = 10%).
- 560  $\Omega$   $\rightarrow$   $56 \times 10^1 \rightarrow 561$  ..... RD1/4PU  $\begin{matrix} \boxed{5} & \boxed{6} & \boxed{1} \end{matrix}$  J  
 47k  $\Omega$   $\rightarrow$   $47 \times 10^3 \rightarrow 473$  ..... RD1/4PU  $\begin{matrix} \boxed{4} & \boxed{7} & \boxed{3} \end{matrix}$  J  
 0.5  $\Omega$   $\rightarrow$  R50 ..... RN2H  $\begin{matrix} \boxed{R} & \boxed{5} & \boxed{0} \end{matrix}$  K  
 1  $\Omega$   $\rightarrow$  1R0 ..... RS1P  $\begin{matrix} \boxed{1} & \boxed{R} & \boxed{0} \end{matrix}$  K
- Ex. 2 When there are 3 effective digits (such as in high precision metal film resistors).
- 5.62k  $\Omega$   $\rightarrow$   $562 \times 10^1 \rightarrow 5621$  ..... RN1/4PC  $\begin{matrix} \boxed{5} & \boxed{6} & \boxed{2} & \boxed{1} \end{matrix}$  F

### ■ LIST OF WHOLE PCB ASSEMBLIES

Mark	Symbol and Description	Part No.			Remarks
		MYXJ type	NVXJ type	KUXJ/CA type	
NSP	AMP MAIN Assy	AWM7499	AWM7499	AWM7524	*1  *2
	— AC IN Assy	AWU7556	AWU7556	AWU7609	
	— PRIMARY Assy	AWU7557	AWU7557	AWU7658	
	— SECONDRY Assy	AWU7558	AWU7558	AWU7614	
	— COMPLEX Assy	AWU7559	AWU7559	AWU7616	
	— AMP Assy	AWU7560	AWU7560	AWU7618	
	— REG Assy	AWU7561	AWU7561	AWU7619	
	— LED Assy	AWU7562	AWU7562	AWU7562	
	— HP Assy	AWU7563	AWU7563	AWU7563	

- \*1: Although AWU7558 and AWU7614 are different in part number, they have same service parts.  
 \*2: Although AWU7561 and AWU7619 are different in part number, they have same service parts.

### ■ CONTRAST OF PCB ASSEMBLIES

#### **A** AC IN Assy

AWU7556 and AWU7609 are constructed the same except for the following:

Mark	Symbol and Description	Part No.		Remarks
		AWU7556	AWU7609	
$\triangle$	L1	ATF-151	Not used	
$\triangle$	C2 (0.01 $\mu$ F/275V)	ACE7013	Not used	
$\triangle$	R1	Not used	RCN1080	
$\triangle$	AN1 AC Inlet 1P	BKP1046	AKP7032	

#### **B** PRIMARY Assy

AWU7557 and AWU7658 are constructed the same except for the following:

Mark	Symbol and Description	Part No.		Remarks
		AWU7557	AWU7658	
$\triangle$	T2	ATT7050	ATT7049	*
$\triangle$	C42	CEAT222M16	CEAT102M16	

- \*: As for the AWU7557, the design change is done like the AWU7658.

## G AMP Assy

AWU7560 and AWU7618 are constructed the same except for the following:

Mark	Symbol and Description	Part No.		Remarks
		AWU7560	AWU7618	
	L3021	LAU560J	Not used	*

\*: As for the AWU7560, the design change is done like the AWU7618.

## H COMPLEX Assy

AWU7559 and AWU7616 are constructed the same except for the following:

Mark	Symbol and Description	Part No.		Remarks
		AWU7559	AWU7616	
⚠	IC53 (5A/125V)	Not used	AKE7019	
	D3001	1SS133	1SS355	*
	L3021	Not used	LAU560J	*
	L3801-L3803	ATH-059	ATH-133	
	R3801-R3803	RD1/4LMF101J	RD1/4LMF100J	
	R5699	Not used	RS1/10S0R0J	*
	CN3801	AKE1025	AKE7065	

\*: As for the AWU7559, the design change is done like the AWU7616.

## PCB PARTS LIST FOR MYXJ TYPE

Mark	No.	Description	Part No.	Mark	No.	Description	Part No.
<b>A AC IN ASSY</b>				<b>RELAY</b>			
<b>COILS AND FILTERS</b>				⚠ RY1 ASR7018			
⚠ L1 ATF-151				<b>CAPACITORS</b>			
<b>CAPACITORS</b>				⚠ C1, C3 (0.01μF/275V) ACE7013			
⚠ C2 (0.01μF/275V) ACE7013				C44 CEAT101M10			
<b>OTHERS</b>				⚠ C42 CEAT222M16			
⚠ CN2 PLUG 4P AKM7055				C41 CQMBA473J50			
H101, H102 FUSE CLIP AKR7001				<b>RESISTORS</b>			
⚠ AN1 AC INLET 1P BKP1046				All Resistors RS1/10S □□□J			
<b>B PRIMARY ASSY</b>				<b>OTHERS</b>			
<b>SEMICONDUCTORS</b>				41 4P CABLE HOLDER 51048-0400			
⚠ IC41 NJM78M56FA				⚠ CN3 SOCKET 4P AKP7132			
Q41 2SC2412K				⚠ CN4 2P-VH CONNECTOR B2P3-VH			
Q42 DTA124EK				J41 4P JUMPER WIRE D20PYY0415E			
D42, D44 1SS355				<b>C SECONDRY ASSY</b>			
⚠ D41 S1WB(A)60SD				<b>SEMICONDUCTORS</b>			
<b>TRANSFORMER</b>				⚠ IC15 (2.5A/125V) AEK7014			
⚠ T2 ATT7050				⚠ IC13, IC14 (7A/125V) AEK7021			
				⚠ IC11, IC12 (10A/125V) AEK7022			



# M-F10

Mark	No.	Description	Part No.
<b>OTHERS</b>			
	15	8P CABLE HOLDER	51052-0800
	J15	JUMPER WIRE	D25XY0815E

## **H** COMPLEX ASSY SEMICONDUCTORS

	IC5801	BU4094BCF
	Q3601-Q3603	2SA1037K
	Q3604-Q3606	2SC2412K
	Q3607, Q3652	2SD2114K
	Q3651, Q5802, Q5804	DTA124EK
	Q3653	DTA124TK
	Q3654, Q3659, Q43	DTC124EK
	Q5601, Q5803	DTC143EK
	D3001, D3604	1SS133
	D3081, D3601-D3603, D3651-D3653	1SS355
	D3655-D3658	1SS355
⚠	D11, D21	D3SBA20(B)
⚠	D32	S1WB(A)60SD
	D3654	S5688G

## COILS AND FILTERS

L3081-L3083 (5.3μH)	ATH-059
---------------------	---------

## SWITCHES AND RELAYS

RY3081, RY3082	ASR7007
----------------	---------

## CAPACITORS

⚠ C13 (18000μF/25V)	ACH7099
C5802, C5803, C5805	CCSQCH221J50
C3602	CEAT100M50
C3659	CEAT101M10
C3651	CEAT101M16
C3601	CEAT221M6R3
⚠ C36	CEAT222M25
C3652	CEAT470M25
⚠ C14	CEAT682M25
C3087, C3089, C3091, C3093-C3095	CKSQYB102K50
C3088, C3090, C3092	CKSQYB103K50
C5801	CKSQYB472K50
C3331-C3333, C3338	CKSQYB473K50
C5804	CKSQYF104Z25
C3081-C3086	CKSQYF473Z50
⚠ C21, C22	CQMA223K2E
C11, C12, C37	CQMA473J50
⚠ C23, C24 (4700μ/35V)	RCH1107

## RESISTORS

R3601-R3603 (0.1Ω, 1W)	ACN7100
R3081-R3083	RD1/4LMF101J
R3617, R5821, R5822	RD1/4PU103J
R5807	RD1/4PU1R0J
R5806	RD1/4PU222J

Mark	No.	Description	Part No.
	R5808		RD1/4PU223J
	R3699		RD1/4PU330J
	R5823		RD1/4PU472J
	Other Resistors		RS1/10S □□□J

## OTHERS

CN3082	2P CONNECTOR	5569-02A1
3081	SPEAKER TERMINAL 4-P	AKE1025
CN3001	20P SOCKET	AKP7129
CN52	13P PLUG	KM200TA13
CN3011	19P PLUG	KM200TA19
CN5801	8P PLUG	KM200TA8
CN11	L-CONNECTOR (8P)	KPD8L
3082	SCREW PLATE	VNE1948

## **G** AMP ASSY SEMICONDUCTORS

IC3001, IC3451, IC3901	BA4558F-HT
IC3021	M62421FP
⚠ IC3301	STK402-040
⚠ IC3401	TDA7294V
Q3023, Q3024	2SC2412K
Q3311, Q3312, Q3401, Q3471, Q3472	2SD2114K
Q3313, Q3402, Q3473, Q3474	DTA124EK
D3021	UDZS10B

## COILS AND FILTERS

L3021	LAU560J
-------	---------

## CAPACITORS

C3321, C3322	CCSQCH221J50
C3025, C3027	CCSQCH470J50
C3317, C3318	CCSQCJ3R0C50
C3315, C3316	CCSQL471J50
C3313, C3314	CEANP4R7M50
C3038, C3041, C3471	CEAT100M50
C3007, C3008, C3043, C3913	CEAT101M10
C3303, C3304	CEAT101M35
C3405, C3410, C3411	CEAT220M50
C3037	CEAT221M6R3
C3301, C3302, C3403	CEAT330M50
C3021, C3022	CEAT3R3M50
C3451	CEAT470M16
C3401	CEAT4R7M50
C3311, C3312	CECAR47M50
C3914	CEJQ101M10
C3319, C3320	CEJQ330M10
C3903, C3904	CEJQ470M16
C3402	CKSQYB102K50
C3005, C3006, C3028, C3036, C3039	CKSQYB103K50
C3305, C3309, C3310, C3334, C3404	CKSQYB103K50
C3406, C3407, C3461, C3462	CKSQYB103K50
C3033, C3034	CKSQYB223K25
C3029, C3030	CKSQYB333K25
C3452	CKSQYB333K50



Mark	No.	Description	Part No.
	C3412, C3413 C3031, C3032 C3023, C3911, C3912 C3026, C3901, C3902 C3408, C3409		CKSQYB473K50 CKSQYB474K16 CKSQYF104Z25 CKSQYF105Z16 CKSQYF473Z50

C3453		CQ MBA683J50
-------	--	--------------

**RESISTORS**

R3301, R3302 R3317, R3318, R3405 R3009, R3010 R3001–R3008 Other Resistors	RD1/4LMF101J RD1/4PU563J RD1/4PU820J RS1/10S1202F RS1/10S□□□J
---	---

**OTHERS**

3953	7P CABLE HOLDER	51048–0700
J3953	JUMPER WIRE	D20PYY0710E
CN3012	19P SOCKET	KP200TA19L
CN5802	8P SOCKET	KP200TA8L

**D REG ASSY  
SEMICONDUCTORS**

IC51	BA4558F–HT
⚠ IC31	NJM7812FA
Q54	2SA933S
Q53	2SB1237X
Q55	2SC1740S
⚠ Q51, Q52	2SD2395
Q57	2SD2395
D53, D54	1SS355
D35	MTZJ6.8B
D55, D56	UDZS5.1B

**CAPACITORS**

C34	CEAT100M50
C51, C57, C58	CEAT330M50
C53	CKSQYB103K50
C56	CKSQYB104K16
C35, C54	CKSQYB473K25

C55	CKSQYB474K16
-----	--------------

**RESISTORS**

⚠ R61	RFA1/4PS100J
⚠ R65	RFA1/4PS151J
⚠ R81, R83	RS1LMFR22J
Other Resistors	RS1/10S□□□J

**OTHERS**

CN51	13P SOCKET	KP200TA13L
------	------------	------------

Mark	No.	Description	Part No.
------	-----	-------------	----------

**F LED ASSY  
SEMICONDUCTORS**

D5601		SLR–343VC
-------	--	-----------

**RESISTORS**

All Resistors		RS1/10S□□□J
---------------	--	-------------

**E HP ASSY  
SEMICONDUCTORS**

Q3951, Q3952 Q3953		2SD2114K DTA124EK
-----------------------	--	----------------------

**CAPACITORS**

C3951–C3954 C5601 C5602		CKSQYB103K50 CKSQYF104Z25 CKSQYF105Z16
-------------------------------	--	--

**RESISTORS**

All Resistors		RS1/10S□□□J
---------------	--	-------------

**OTHERS**

5602	3P CABLE HOLDER	51048–0300
JA3951	JACK	AKN7013
J5601	3P JUMPER WIRE	D20PYY0305E
KN3951	EARTH METAL FITTING	VNF1084

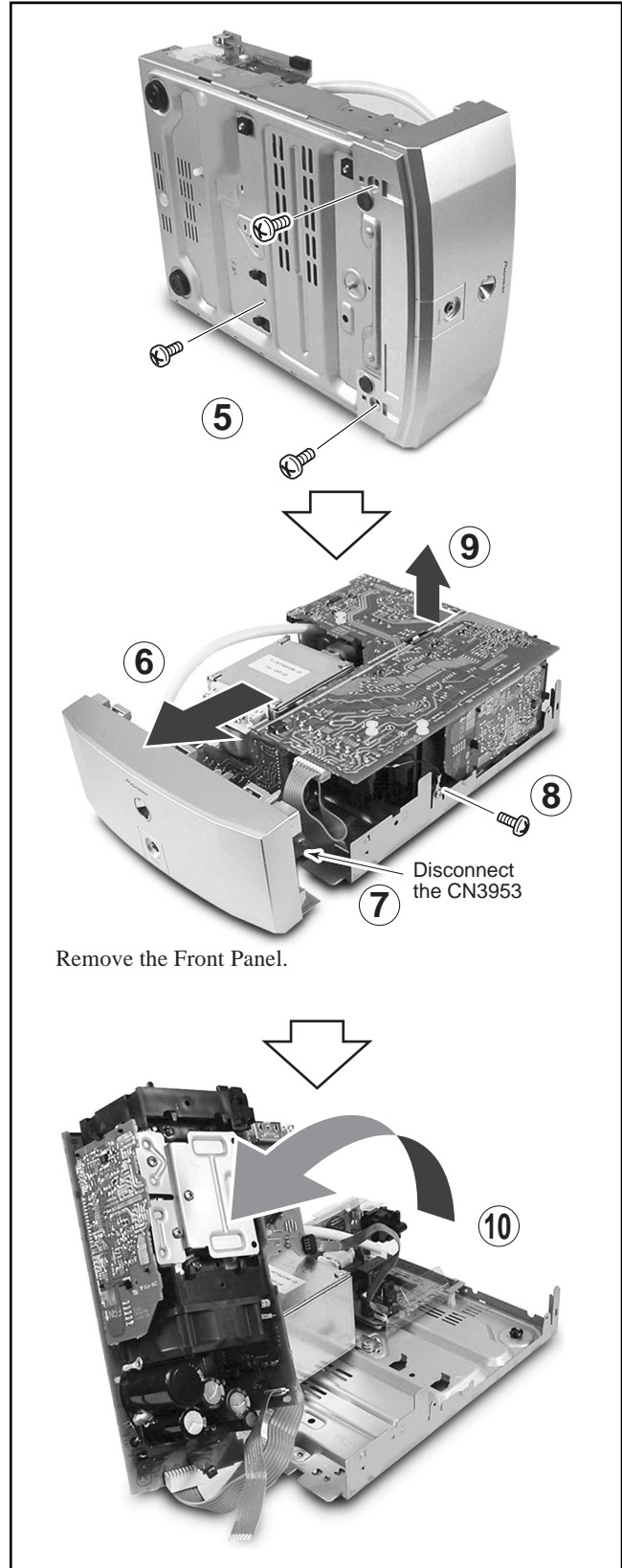
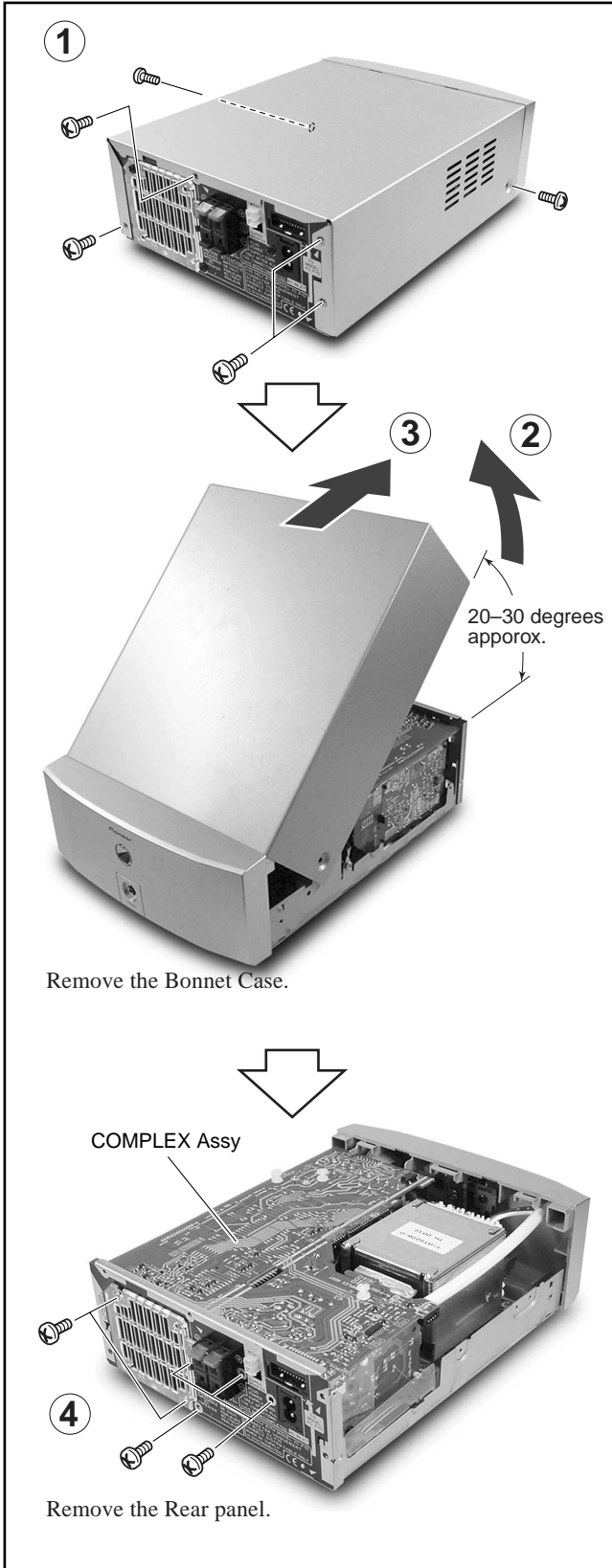
## 6. ADJUSTMENT

There is no information to be shown in this chapter.

# 7. GENERAL INFORMATION

## 7.1 DIAGNOSIS

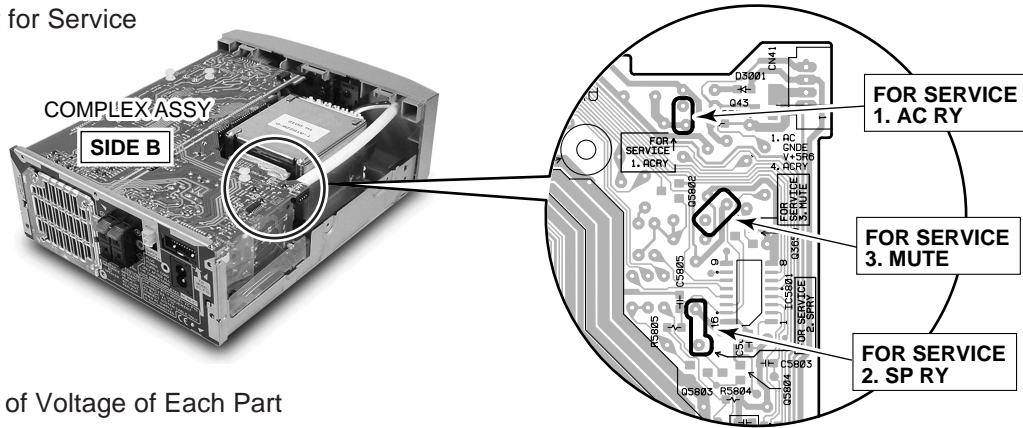
### 7.1.1 DISASSEMBLY



### 7.1.2 SINGLE OPERATION METHOD

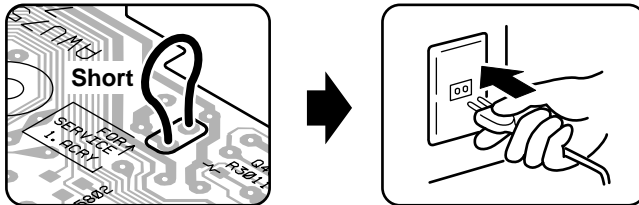
#### ■ Voltage of each part and method of diagnosing each IC

##### ● Test Point for Service



##### ● Diagnosis of Voltage of Each Part

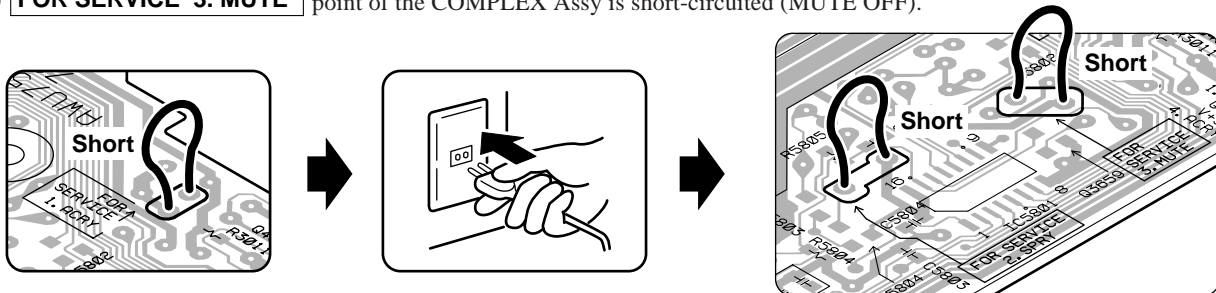
- ① **FOR SERVICE 1. AC RY** point of the COMPLEX Assy is short-circuited (AC RELAY ON), and the AC power code is inserted in the power supply outlet.



- ② The voltage of each part is checked. Refer to next page (diagnosis point).

##### ● Diagnosis of Each IC

- ① **FOR SERVICE 1. AC RY** point of the COMPLEX Assy is short-circuited (AC RELAY ON), and the AC power code is inserted in the power supply outlet.
- ② **FOR SERVICE 2. SP RY** point of the COMPLEX Assy is short-circuited (SP RELAY ON).
- ③ **FOR SERVICE 3. MUTE** point of the COMPLEX Assy is short-circuited (MUTE OFF).



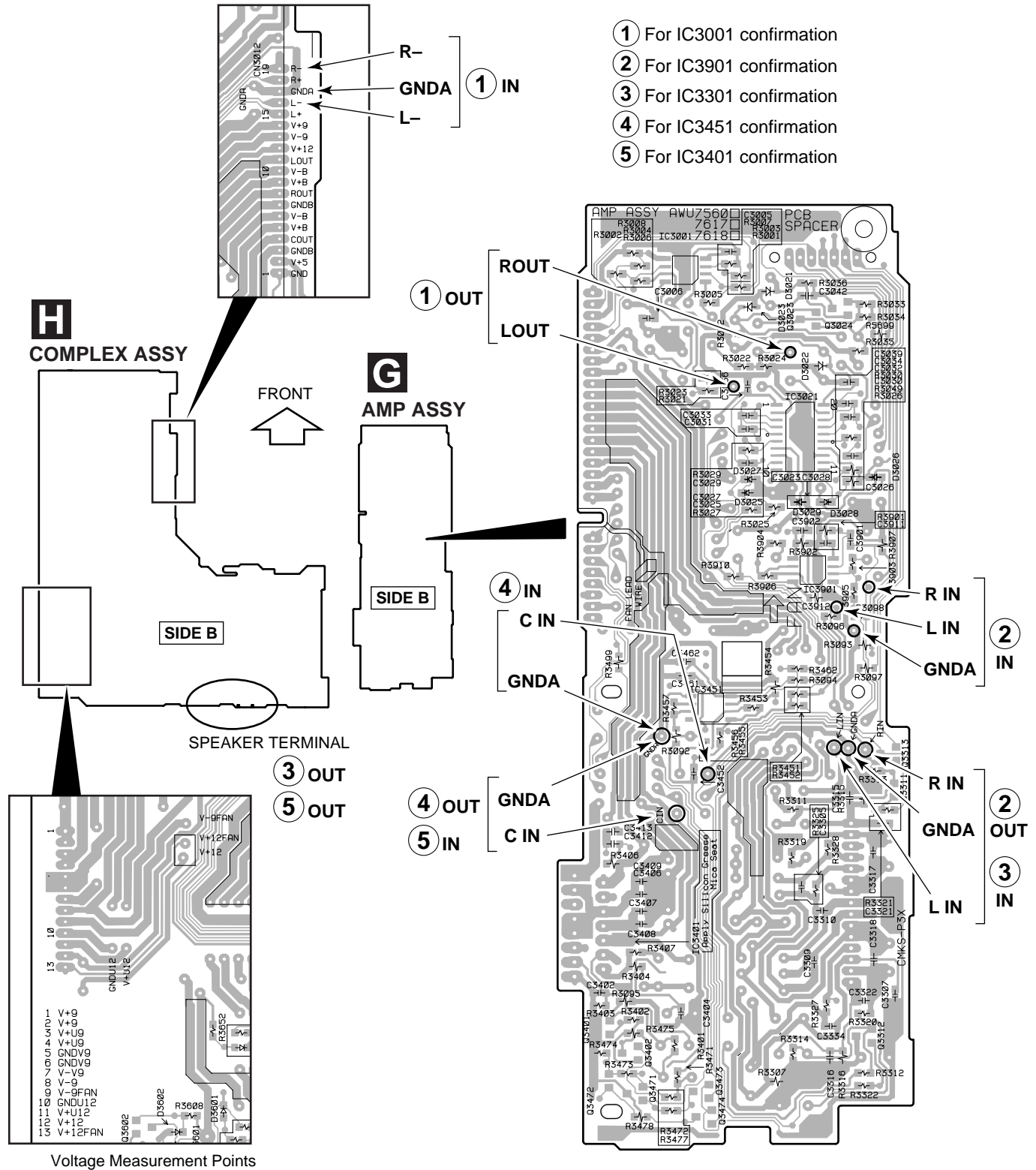
- ④ The AUDIO signal (About 1kHz) is input to the input side of each IC, and the output is confirmed. Refer to next page (diagnosis point).

OP amplifier (AMP Assy) . . . . . IC3001, IC3901, and IC3451  
 Amplifier (AMP Assy) . . . . . IC3301 and IC3401

##### ● Diagnosis of IC3021

Note: The single operation confirmation cannot be done, because IC3021(E-VOL) is controlled with the microcomputer of Stereo CD tuner (XC-F10).

## ● Diagnosis Points

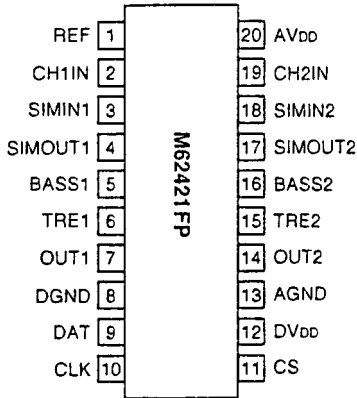


## 7.2 IC

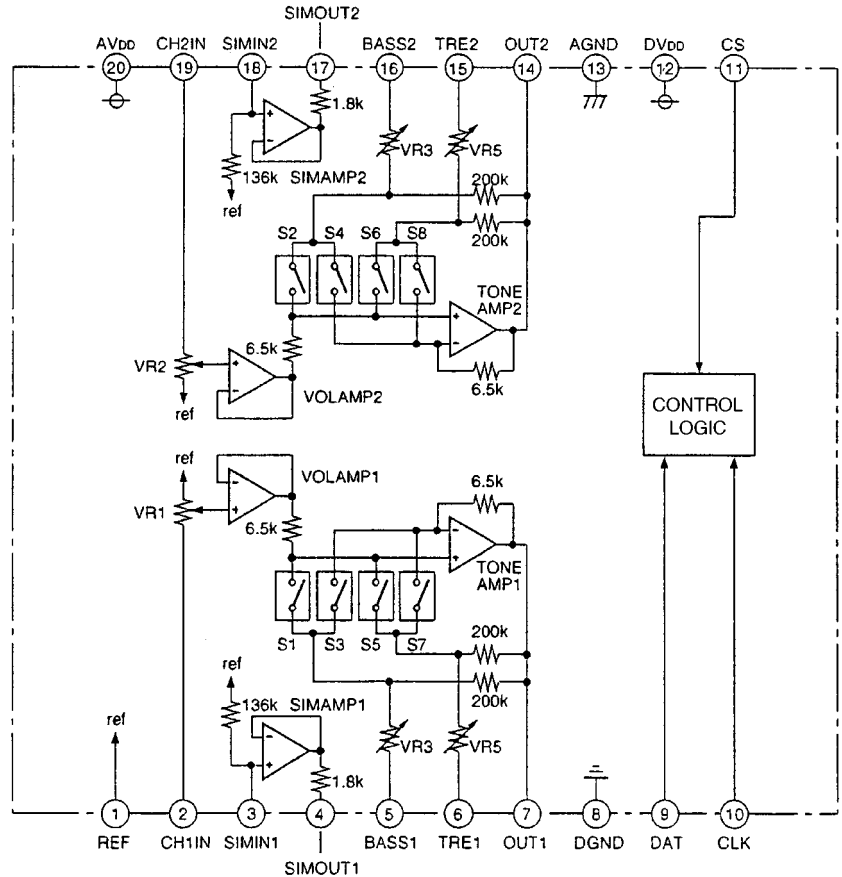
### ■ M62421FP (IC3021: AMP ASSY)

#### ● Digital Sound Controller built-in Tone Control

#### ● Pin Assignment (Top View)



#### ● Block Diagram



● The information shown in the list is basic information and may not correspond exactly to that shown in the schematic diagrams.

#### ● Pin Function

No.	Name	I/O	Description
1	REF	I	Standard voltage input terminal
2	CH1IN	I	Signal input terminal for channel 1
3	SIMIN1	I	Capacitor installation terminal for Simulated inductor 1
4	SIMOUT1	O	
5	BASS1	I	Capacitor installation terminal for Bass adjustment of channel 1 side
6	TRE1	I	Capacitor installation terminal for Treble adjustment of channel 1 side
7	OUT1	O	Signal output terminal after volume is controlled of channel 1 side
8	DGND	—	Ground terminal for digital circuit
9	DAT	I	Input/Output terminal for control data
10	CLK	I	Clock input terminal for serial data transfer

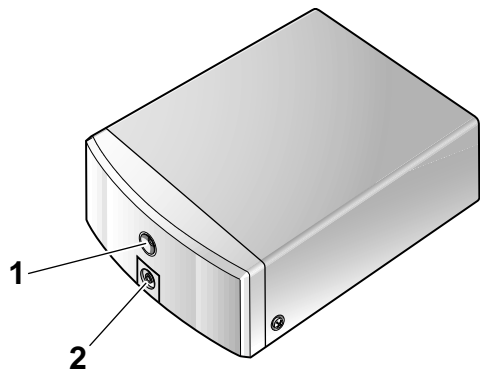
No.	Name	I/O	Description
11	CS	I	Chip select signal terminal
12	DVDD	—	Power supply terminal for digital circuit
13	AGND	—	Ground terminal for analog circuit
14	OUT2	O	Signal output terminal after volume is controlled of channel 2 side
15	TRE2	I	Capacitor installation terminal for Treble adjustment of channel 2 side
16	BASS2	I	Capacitor installation terminal for Bass adjustment of channel 2 side
17	SIMOUT2	O	Capacitor installation terminal for Simulated inductor 2
18	SIMIN2	I	
19	CH2IN	I	Signal input terminal for channel 2
20	AVDD	—	Power supply terminal for analog circuit



## 8. PANEL FACILITIES AND SPECIFICATIONS

### 8.1 PANEL FACILITIES

- 1 **Power indicator** – lights when the system is on
- 2 **Headphone jack** – plug in a pair of headphones for private listening (the sound from the speakers is muted when headphones are plugged in)



### 8.2 SPECIFICATIONS

#### For MYXJ Type

Continuous Power Satellite (RMS)	30 W + 30 W (3 kHz, THD 10%, 8 Ω)
Continuous Power Subwoofer (RMS)	50 W (70 Hz, THD 10%, 4 Ω)
Continuous Power Satellite (DIN)	23 W + 23 W (3 kHz, THD 1%, 8 Ω)
Continuous Power Subwoofer (DIN)	43 W (70 Hz, THD 1%, 4 Ω)
Power Requirements	AC 220-230 V, 50/60 Hz
Power Consumption (ON mode)	127 W
Power Consumption (Standby mode)	0.9 W
Dimensions	190 (W) × 80 (H) × 267 (D) mm
Weight	4.0 kg

• Above specifications are for when the power supply is 230 V.

#### For NVXJ Type

Continuous Power (RMS)	
Satellite	30 W + 30 W (3 kHz, THD 10%, 8 W)
Subwoofer	50 W (70 Hz, THD 10%, 4 W)
Continuous Power (DIN)	
Satellite	23 W + 23 W (3 kHz, THD 1%, 8 W)
Subwoofer	43 W (70 Hz, THD 1%, 4 W)
Power Requirements	AC 230 V, 50/60 Hz (UK model) AC 240 V, 50/60 Hz (Non-UK model)
Power Consumption (ON mode)	127 W (UK model) 110 W (Non-UK model)
Power Consumption (Standby mode)	0.9 W
Dimensions	190 (W) x 80 (H) x 267 (D) mm
Weight	4.0 kg

#### For KUXJ/CA Type

Output for Satellite Speakers

**Continuous average power output of 20 watts\* per channel, min., at 8 ohms, from 200 Hz to 20,000 Hz with no more than 0.9 %\*\* total harmonic distortion.**

Output for Subwoofer Speaker

**Continuous average power output of 30 watts\* min., at 4 ohms, from 40 Hz to 200 Hz with no more than 0.9 %\*\* total harmonic distortion.**

\* Measured pursuant to the Federal Trade Commission's Trade Regulation rule on Power Output Claims for Amplifiers.

\*\* Measured by Audio Spectrum Analyzer.

Continuous Power Satellite (RMS)	30 W + 30 W (3 kHz, THD 10%, 8 Ω)
Continuous Power Subwoofer (RMS)	50 W (70 Hz, THD 10%, 4 Ω)
Power Requirements	AC 120 V, 60 Hz
Power Consumption (ON mode)	125 W, 160 VA
Power Consumption (Standby mode)	0.9 W
Dimensions	190 (W) × 80 (H) × 267 (D) mm (7 1/2(W) x 3 1/8(H) x 10 1/2(D) in.)
Weight	4.0 kg (8 lb. 13 oz.)

#### Accessories

Remote control unit	1
Stand A	1
Stand B	1
Paper pattern	1
System cable	1
FM wire antenna	1
AM loop antenna	1
Lithium battery (CR2025)	1
AC power cord	1
Operating instructions	1
Warranty card	1

**NOTE:** Specifications and design subject to possible modification without notice, due to improvements.